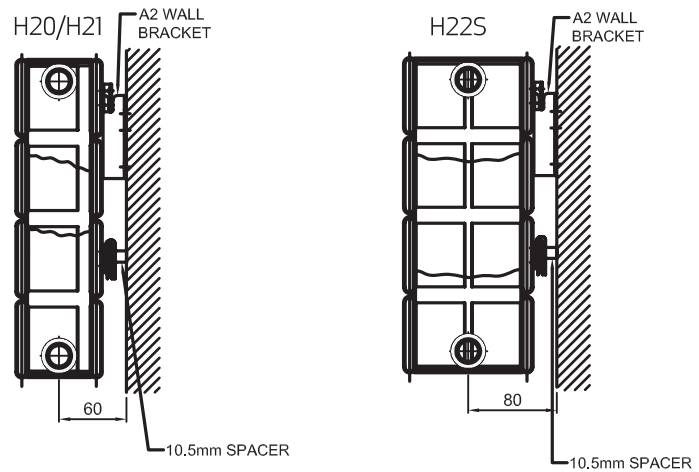
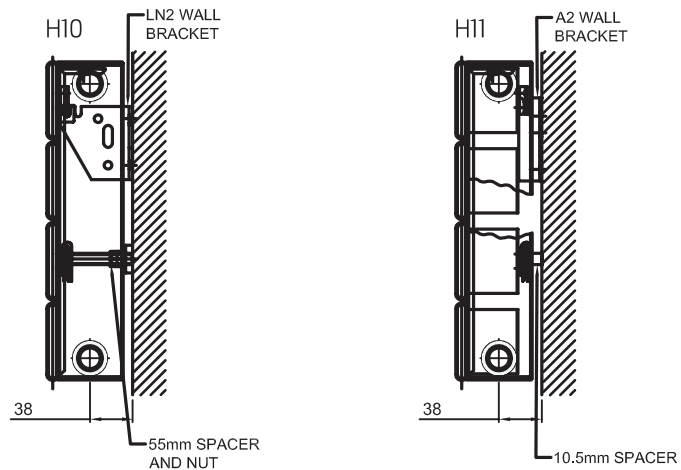


Horizontal Panel Radiator

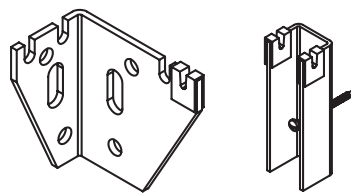
Single and double with full fin (H10, H11, H20, H21, H22S)



Important Notes:

- If the radiator is to be used as an emitter behind an LST casing, please see the LST technical brochure for mounting details.

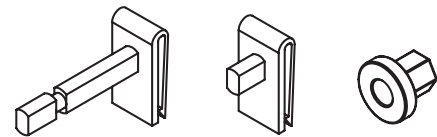
HANGING BRACKETS



LN2 BRACKET

A2 WALL BRACKET

SPACERS



55MM SPACER

10.5MM SPACER

NUT

General information: The installation and commissioning of the system should comply with BS EN 14336:2004. On completion of the installation, the system should be properly flushed and filled in accordance with the British Code of Practice for the Treatment of Water in Domestic Hot Water Central Heating Systems (BS 7593:2006). We strongly recommend the use of a corrosion inhibitor. Failure to comply with these standards might invalidate the manufacturer's warranty.

All dimensions are in mm.

Merriott UK & Ireland
Purmo Group (UK) Ltd,
Eastern Avenue,
Team Valley, Gateshead,
Tyne & Wear, NE11 0PG
Tel: 0330 0415 472

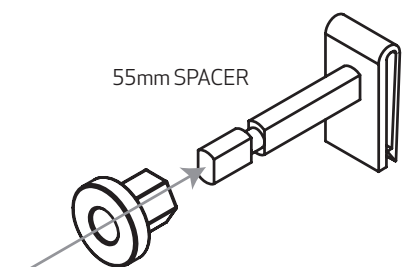
sales@merriottuk.com
sales@merriott.ie

www.merriottuk.com / www.merriott.ie
Follow us on @merriottuk and

COMBINATION OF FITTINGS PER MODEL

RADIATOR MODEL	BRACKET TYPES		SPACERS	
	A2	LN2	10.5mm	55mm
H10		x		x
H11	x		x	
H20	x		x	
H21	x		x	
H22S	x		x	

HOW TO ASSEMBLE THE SPACER



Horizontal Panel Radiator

Single and double with full fin (H10, H11, H20, H21, H22S)

Installation Procedure:

1. Mark location of mounting bracket in relation to backclip at rear of panel (see FIG. 1).
2. Drill holes in wall, insert plugs and fix brackets securely to the wall.
3. Note: the combination of spacers and brackets can be found in the table on reverse. Fit the required spacer on the back of the panel.
4. It is important that the wall brackets are mounted in the centre of the backclip to allow for movement.

BRACKET LOCATIONS (in mm)

LENGTH	H	J	K	L	M
500	140	220	140	-	-
600	150	300	150	-	-
700	150	400	150	-	-
800	140	520	140	-	-
900	150	600	150	-	-
1000	140	720	140	-	-
1100	150	800	150	-	-
1200	150	900	150	-	-
1300	140	1020	140	-	-
1400	150	1100	150	-	-
1500	150	1200	150	-	-
1600	140	1320	140	-	-
1700	150	700	700	150	-
1800	150	720	780	150	-
1900	150	800	800	150	-
2000	150	820	880	150	-
2100	140	900	920	140	-
2200	150	920	980	150	-
2300	150	1000	1000	150	-
2400	140	1060	1060	140	-
2500	150	1100	1100	150	-
2600	150	1120	1180	150	-
2700	140	1200	1220	140	-
2800	150	1220	1280	150	-
2900	140	1300	1320	140	-
3000	150	900	900	900	150

BRACKET LOCATIONS

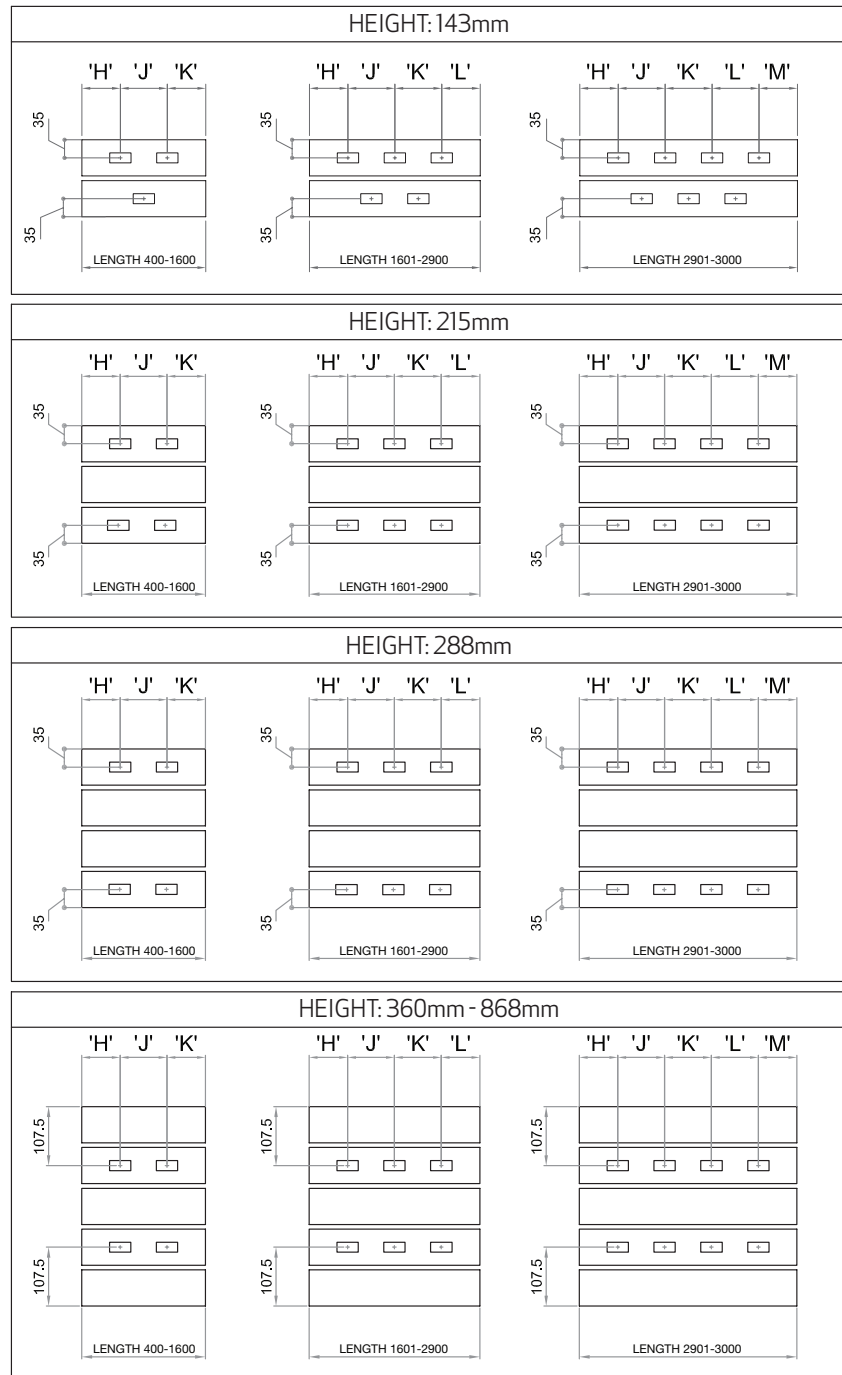
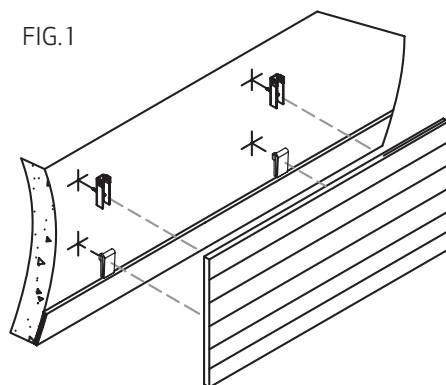
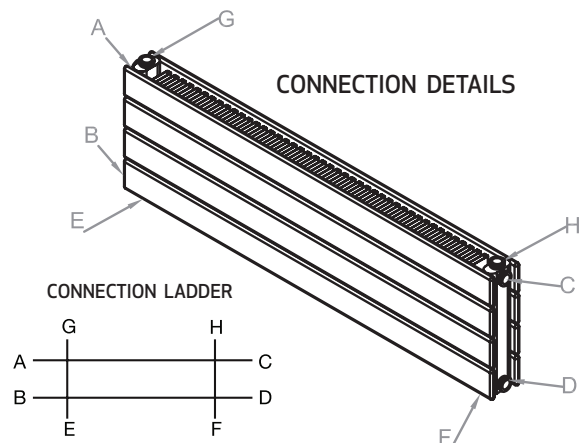


FIG. 1



CONNECTION DETAILS



The standard connection configuration is ABCD. Other connections including AB/CD/GE/HF are NOT SUITABLE for horizontal panel radiators without specifying a baffle and must be specified at the time of order.