

Vertical Panel Radiator V10 & V20 MODELS

Important Notes:

- The header with the flow/return connections contains a baffle and is identified by a sticker (shown on the right).
- Connections in the opposite header are to be used as vents or drains depending on the orientation of the radiator.
- Ensure there is no trapped air in the radiator by adequately bleeding the system during installation.
- Flow rate may need to be adjusted/ balanced for optimum performance.

General information: The installation and commissioning of the system should comply with BS EN 14336:2004. On completion of the installation, the system should be properly flushed and filled in accordance with the British Code of Practice for the Treatment of Water in Domestic Hot Water Central Heating Systems (BS 7593:2006). We strongly recommend the use of a corrosion inhibitor. Failure to comply with these standards might invalidate the manufacturer's warranty.

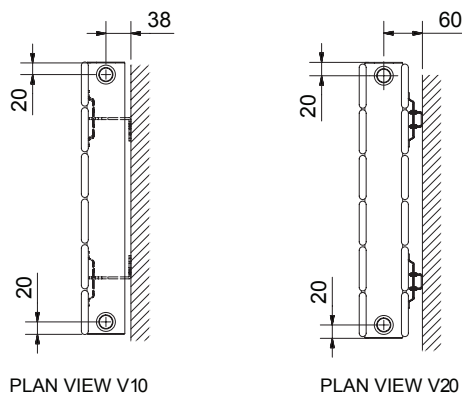
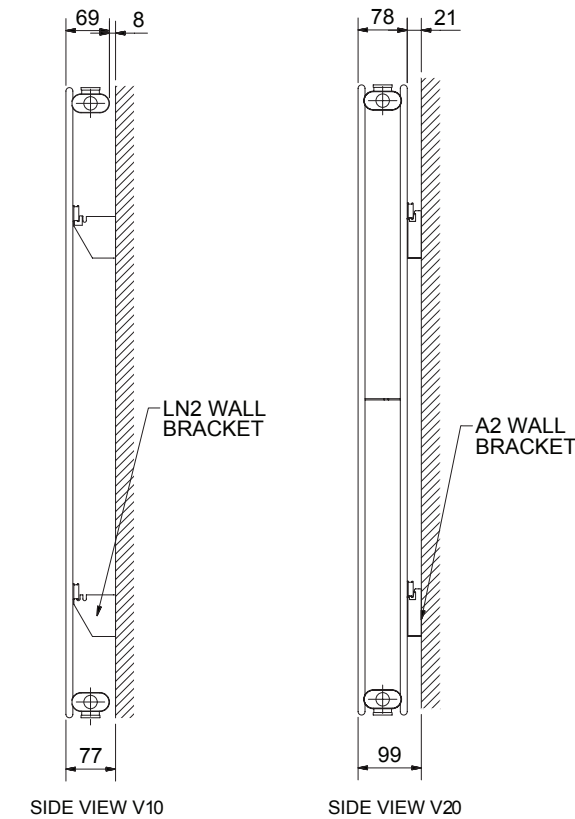
All dimensions are in mm.

Merriott UK & Ireland
 Purmo Group (UK) Ltd,
 Eastern Avenue,
 Team Valley, Gateshead,
 Tyne & Wear, NE11 0PG
 Tel: 0330 0415 472

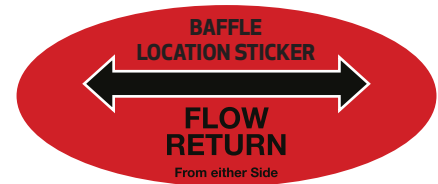
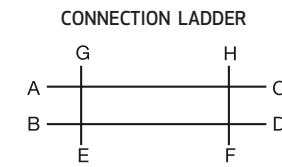
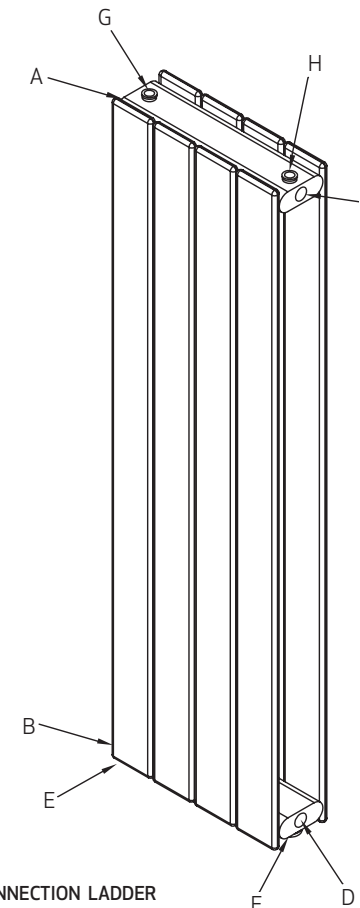
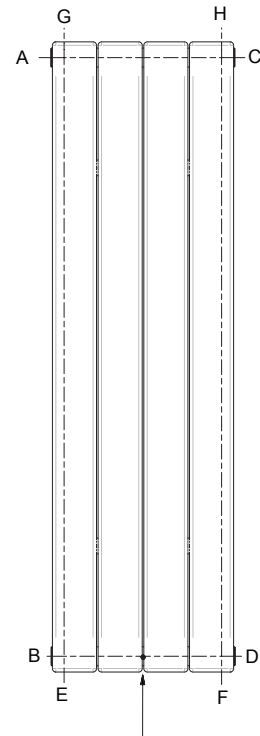
sales@merriottuk.com
 sales@merriott.ie

www.merriottuk.com / www.merriott.ie
 Follow us on  @merriottuk and 

BRACKET MOUNTING AND PIPE CENTRE DETAILS



CONNECTION DETAILS



Notes:

Radiator should be connected BOE(BD/DB) or BBOE(EF/FE) OR TTOE(GH/HG) or TOE(AC/CA). Baffle header must always be fitted flow/return

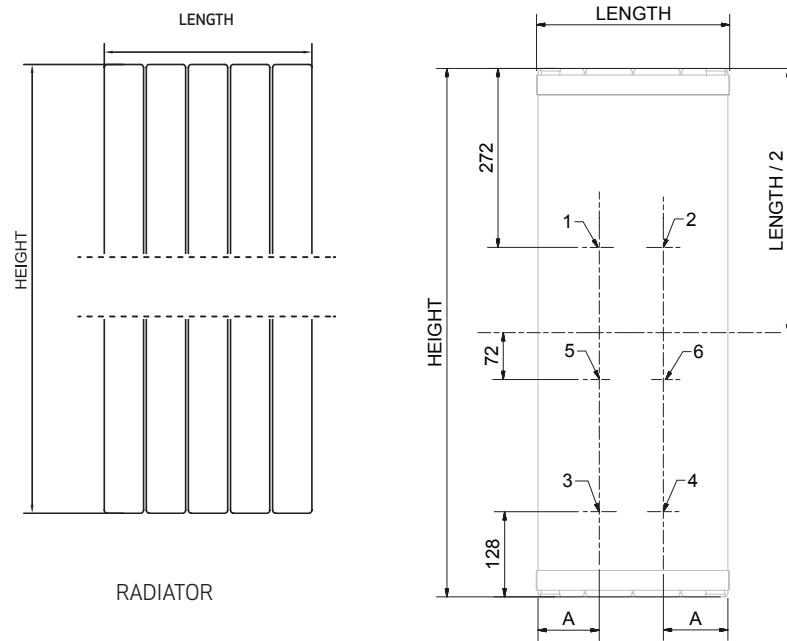
Information for the installer

Vertical Panel Radiator V10 & V20 MODELS

Installation procedure:

1. Choose the location where you wish to install the radiator.
2. Measure the length & height and mark the positions for the wall brackets with a pencil (see FIG. 1).
3. Place the wall brackets over the pencil marks on the wall as shown by points 1, 2, 3, 4, 5 & 6 in FIG. 1 and mark the positions of the wall plugs and screws as indicated in FIG. 3. Please note: points 5 & 6 only relate to radiators over 1900mm high.
4. Drill the necessary holes in the wall and install the wall brackets.
5. Fit air vents/drains to the radiator.
6. Mount the radiator on to the wall brackets.
7. Connect the water supply via the shut off valve.
8. The return line of the central heating system is connected to the opposite side of the radiator via the lock shield valve.
9. Fill the radiator (if possible from the bottom) and purge the air from the radiator using the vent if required.

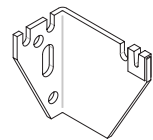
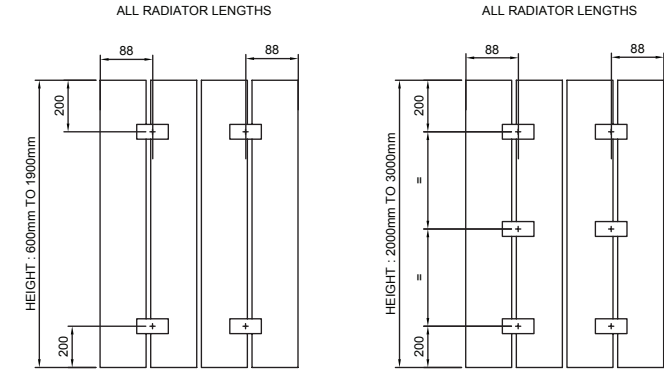
RADIATOR WALL LOCATION
FIG. 1



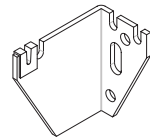
RADIATOR

DIMENSION A
V10: 100mm
V20: 88mm

MOUNTING LUG LOCATIONS
FIG. 2

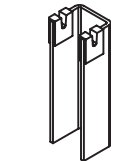
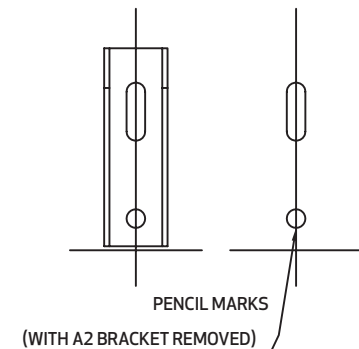
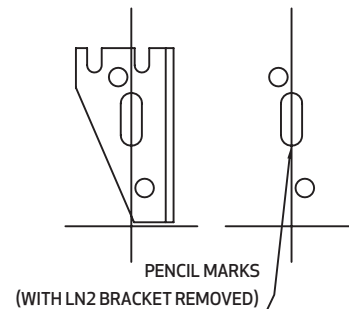


LEFT HAND LN2 BRACKET



RIGHT HAND LN2 BRACKET

USE ON V10 MODEL



A2 BRACKET

USE ON V20 MODEL