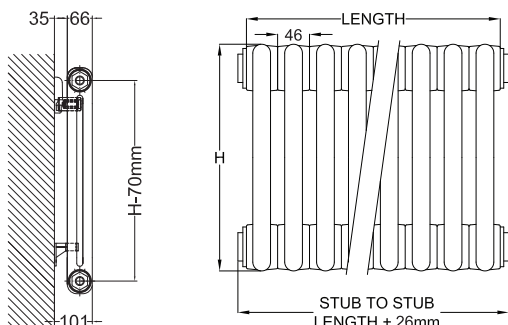


# Heat Outputs

## 2-column radiators



Pipes fixed in concrete / solid walls. ensure radiators valve tail pieces provide flexible dimension, as with all sectional column radiators manufacturing tolerances need to be heeded.

		Radiator height															
		300	400	500	600	750	800	900	1000	1200	1500	1800	2000	2200	2500	2800	3000
Water content per element (l)		0.4	0.5	0.6	0.7	0.8	0.8	0.9	1.0	1.1	1.4	1.6	1.7	1.9	2.1	2.3	2.4
Dry weight per element (Kg)		0.5	0.6	0.8	0.9	1.1	1.2	1.4	1.5	1.8	2.2	2.6	2.9	3.2	3.6	4.0	4.3
Joined Radiator (No. of Sections)		60	60	60	60	60	60	60	60	30	30	30	30	30	30	20	20
Elements	Length	Output at $\Delta T50^{\circ}C$ (Watts)															
2	92	49	62	76	90	110	117	130	144	171	212	256	284	314	360	408	440
3	138	73	93	114	134	165	175	195	216	257	318	384	426	471	540	612	660
4	184	97	124	152	179	220	234	260	288	342	424	512	568	628	720	816	880
5	230	122	156	190	224	275	292	326	361	428	530	640	710	785	900	1020	1100
6	276	146	187	228	269	330	350	391	433	514	636	768	852	942	1080	1224	1320
7	322	170	218	266	314	385	409	456	505	599	742	896	994	1099	1260	1428	1540
8	368	194	249	304	358	440	467	521	577	685	848	1024	1136	1256	1440	1632	1760
9	414	219	280	342	403	495	526	586	649	770	954	1152	1278	1413	1620	1836	1980
10	460	243	311	380	448	550	584	651	721	856	1060	1280	1420	1570	1800	2040	2200
11	506	267	342	418	493	605	642	716	793	942	1166	1408	1562	1727	1980	2244	2420
12	552	292	373	456	538	660	701	781	865	1027	1272	1536	1704	1884	2160	2448	2640
13	598	316	404	494	582	715	759	846	937	1113	1378	1664	1846	2041	2340	2652	2860
14	644	340	435	532	627	770	818	911	1009	1198	1484	1792	1988	2198	2520	2856	3080
15	690	365	467	570	672	825	876	977	1082	1284	1590	1920	2130	2355	2700	3060	3300
16	736	389	498	608	717	880	934	1042	1154	1370	1696	2048	2272	2512	2880	3264	3520
17	782	413	529	646	762	935	993	1107	1226	1455	1802	2176	2414	2669	3060	3468	3740
18	828	437	560	684	806	990	1051	1172	1298	1541	1908	2304	2556	2826	3240	3672	3960
19	874	462	591	722	851	1045	1110	1237	1370	1626	2014	2432	2698	2983	3420	3876	4180
20	920	486	622	760	896	1100	1168	1302	1442	1712	2120	2560	2840	3140	3600	4080	4400
21	966	510	653	798	941	1155	1226	1367	1514	1798	2226	2688	2982	3297	3780	4284	4620
22	1012	535	684	836	986	1210	1285	1432	1586	1883	2332	2816	3124	3454	3960	4488	4840
23	1058	559	715	874	1030	1265	1343	1497	1658	1969	2438	2944	3266	3611	4140	4692	5060
24	1104	583	746	912	1075	1320	1402	1562	1730	2054	2544	3072	3408	3768	4320	4896	5280
25	1150	608	778	950	1120	1375	1460	1628	1803	2140	2650	3200	3550	3925	4500	5100	5500
26	1196	632	809	988	1165	1430	1518	1693	1875	2226	2756	3328	3692	4082	4680	5304	5720
27	1242	656	840	1026	1210	1485	1577	1758	1947	2311	2862	3456	3834	4239	4860	5508	5940
28	1288	680	871	1064	1254	1540	1635	1823	2019	2397	2968	3584	3976	4396	5040	5712	6160
29	1334	705	902	1102	1299	1595	1694	1888	2091	2482	3074	3712	4118	4553	5220	5916	6380
30	1380	729	933	1140	1344	1650	1752	1953	2163	2568	3180	3840	4260	4710	5400	6120	6600
31	1426	753	964	1178	1389	1705	1810	2018	2235	2654	3286	3968	4402	4867	5580	6324	6820
32	1472	778	995	1216	1434	1760	1869	2083	2307	2739	3392	4096	4544	5024	5760	6528	7040
33	1518	802	1026	1254	1478	1815	1927	2148	2379	2825	3498	4224	4686	5181	5940	6732	7260
34	1564	826	1057	1292	1523	1870	1986	2213	2451	2910	3604	4352	4828	5338	6120	6936	7480
35	1610	851	1089	1330	1568	1925	2044	2279	2524	2996	3710	4480	4970	5495	6300	7140	7700
36	1656	875	1120	1368	1613	1980	2102	2344	2596	3082	3816	4608	5112	5652	6480	7344	7920

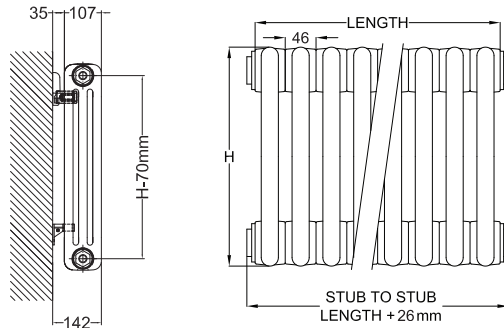
Greyed out sizes indicate weight of over 100kg

Radiators of this many elements or more, will be supplied in two sections to be joined on site.

For full multicolumn length, please add 26mm to the length of the radiator to account for end pieces.

# Heat Outputs

## 3-column radiators



Pipes fixed in concrete / solid walls. ensure radiators valve tail pieces provide flexible dimension, as with all sectional column radiators manufacturing tolerances need to be heeded.

		Radiator height															
		300	400	500	600	750	800	900	1000	1200	1500	1800	2000	2200	2500	2800	3000
Water content per element (l)		0.6	0.7	0.8	1.0	1.1	1.2	1.3	1.4	1.6	2.0	2.3	2.6	2.8	3.2	3.6	3.8
Dry weight per element (Kg)		0.7	0.9	1.2	1.4	1.7	1.8	2.1	2.3	2.7	3.3	4.0	4.4	4.8	5.3	6.0	6.4
Joined Radiator		60	60	60	60	55	55	55	55	30	30	30	30	30	30	20	20
Elements	Length	Output at $\Delta T50^{\circ}C$ (Watts)															
2	92	66	85	103	122	149	158	176	195	232	288	348	388	428	492	558	604
3	138	99	127	155	182	224	237	265	292	348	432	522	582	642	738	837	906
4	184	132	169	206	243	298	316	353	390	464	576	696	776	856	984	1116	1208
5	230	166	212	258	304	373	396	441	487	580	720	870	970	1070	1230	1395	1510
6	276	199	254	310	365	447	475	529	584	696	864	1044	1164	1284	1476	1674	1812
7	322	232	296	361	426	522	554	617	682	812	1008	1218	1358	1498	1722	1953	2114
8	368	265	338	413	486	596	633	706	779	928	1152	1392	1552	1712	1968	2232	2416
9	414	298	381	464	547	671	712	794	877	1044	1296	1566	1746	1926	2214	2511	2718
10	460	331	423	516	608	745	791	882	974	1160	1440	1740	1940	2140	2460	2790	3020
11	506	364	465	568	669	820	870	970	1071	1276	1584	1914	2134	2354	2706	3069	3322
12	552	397	508	619	730	894	949	1058	1169	1392	1728	2088	2328	2568	2952	3348	3624
13	598	430	550	671	790	969	1028	1147	1266	1508	1872	2262	2522	2782	3198	3627	3926
14	644	463	592	722	851	1043	1107	1235	1364	1624	2016	2436	2716	2996	3444	3906	4228
15	690	497	635	774	912	1118	1187	1323	1461	1740	2160	2610	2910	3210	3690	4185	4530
16	736	530	677	826	973	1192	1266	1411	1558	1856	2304	2784	3104	3424	3936	4464	4832
17	782	563	719	877	1034	1267	1345	1499	1656	1972	2448	2958	3298	3638	4182	4743	5134
18	828	596	761	929	1094	1341	1424	1588	1753	2088	2592	3132	3492	3852	4428	5022	5436
19	874	629	804	980	1155	1416	1503	1676	1851	2204	2736	3306	3686	4066	4674	5301	5738
20	920	662	846	1032	1216	1490	1582	1764	1948	2320	2880	3480	3880	4280	4920	5580	6040
21	966	695	888	1084	1277	1565	1661	1852	2045	2436	3024	3654	4074	4494	5166	5859	6342
22	1012	728	931	1135	1338	1639	1740	1940	2143	2552	3168	3828	4268	4708	5412	6138	6644
23	1058	761	973	1187	1398	1714	1819	2029	2240	2668	3312	4002	4462	4922	5658	6417	6946
24	1104	794	1015	1238	1459	1788	1898	2117	2338	2784	3456	4176	4656	5136	5904	6696	7248
25	1150	828	1058	1290	1520	1863	1978	2205	2435	2900	3600	4350	4850	5350	6150	6975	7550
26	1196	861	1100	1342	1581	1937	2057	2293	2532	3016	3744	4524	5044	5564	6396	7254	7852
27	1242	894	1142	1393	1642	2012	2136	2381	2630	3132	3888	4698	5238	5778	6642	7533	8154
28	1288	927	1184	1445	1702	2086	2215	2470	2727	3248	4032	4872	5432	5992	6888	7812	8456
29	1334	960	1227	1496	1763	2161	2294	2558	2825	3364	4176	5046	5626	6206	7134	8091	8758
30	1380	993	1269	1548	1824	2235	2373	2646	2922	3480	4320	5220	5820	6420	7380	8370	9060
31	1426	1026	1311	1600	1885	2310	2452	2734	3019	3596	4464	5394	6014	6634	7626	8649	9362
32	1472	1059	1354	1651	1946	2384	2531	2822	3117	3712	4608	5568	6208	6848	7872	8928	9664
33	1518	1092	1396	1703	2006	2459	2610	2911	3214	3828	4752	5742	6402	7062	8118	9207	9966
34	1564	1125	1438	1754	2067	2533	2689	2999	3312	3944	4896	5916	6596	7276	8364	9486	10268
35	1610	1159	1481	1806	2128	2608	2769	3087	3409	4060	5040	6090	6790	7490	8610	9765	10570
36	1656	1192	1523	1858	2189	2682	2848	3175	3506	4176	5184	6264	6984	7704	8856	10044	10872

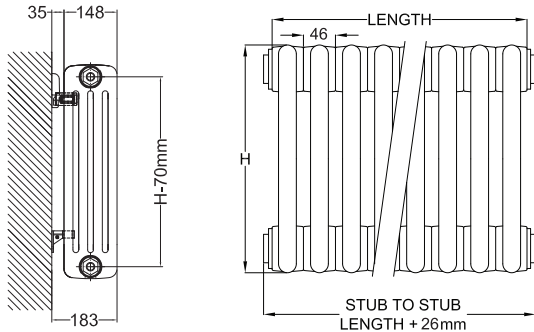
Greyed out sizes indicate weight of over 100kg

Radiators of this many elements or more, will be supplied in two sections to be joined on site.

For full multicolumn length, please add 26mm to the length of the radiator to account for end pieces.

# Heat Outputs

## 4-column radiators



Pipes fixed in concrete / solid walls. ensure radiators valve tail pieces provide flexible dimension, as with all sectional column radiators manufacturing tolerances need to be heeded.

		Radiator height															
		300	400	500	600	750	800	900	1000	1200	1500	1800	2000	2200	2500	2800	3000
Water content per element (l)		0.8	0.9	1.1	1.2	1.5	1.6	1.7	1.9	2.2	2.7	3.1	3.4	3.8	4.2	4.7	5.0
Dry weight per element (Kg)		0.9	1.2	1.5	1.8	2.2	2.4	2.6	2.9	3.5	4.4	5.3	5.8	6.3	7.1	7.8	8.4
Joined Radiator		60	60	60	60	50	50	50	50	30	30	30	30	30	30	20	20
Elements	Length	Output at $\Delta T50^{\circ}C$ (Watts)															
2	92	85	111	137	162	200	212	238	264	314	388	464	516	568	644	724	776
3	138	127	167	205	243	300	318	357	396	471	582	696	774	852	966	1086	1164
4	184	169	222	273	324	400	424	476	528	628	776	928	1032	1136	1288	1448	1552
5	230	212	278	342	406	500	530	595	660	785	970	1160	1290	1420	1610	1810	1940
6	276	254	333	410	487	600	636	714	792	942	1164	1392	1548	1704	1932	2172	2328
7	322	296	389	478	568	700	742	833	924	1099	1358	1624	1806	1988	2254	2534	2716
8	368	338	444	546	649	800	848	952	1056	1256	1552	1856	2064	2272	2576	2896	3104
9	414	381	500	615	730	900	954	1071	1188	1413	1746	2088	2322	2556	2898	3258	3492
10	460	423	555	683	811	1000	1060	1190	1320	1570	1940	2320	2580	2840	3220	3620	3880
11	506	465	611	751	892	1100	1166	1309	1452	1727	2134	2552	2838	3124	3542	3982	4268
12	552	508	666	820	973	1200	1272	1428	1584	1884	2328	2784	3096	3408	3864	4344	4656
13	598	550	722	888	1054	1300	1378	1547	1716	2041	2522	3016	3354	3692	4186	4706	5044
14	644	592	777	956	1135	1400	1484	1666	1848	2198	2716	3248	3612	3976	4508	5068	5432
15	690	635	833	1025	1217	1500	1590	1785	1980	2355	2910	3480	3870	4260	4830	5430	5820
16	736	677	888	1093	1298	1600	1696	1904	2112	2512	3104	3712	4128	4544	5152	5792	6208
17	782	719	944	1161	1379	1700	1802	2023	2244	2669	3298	3944	4386	4828	5474	6154	6596
18	828	761	999	1229	1460	1800	1908	2142	2376	2826	3492	4176	4644	5112	5796	6516	6984
19	874	804	1055	1298	1541	1900	2014	2261	2508	2983	3686	4408	4902	5396	6118	6878	7372
20	920	846	1110	1366	1622	2000	2120	2380	2640	3140	3880	4640	5160	5680	6440	7240	7760
21	966	888	1166	1434	1703	2100	2226	2499	2772	3297	4074	4872	5418	5964	6762	7602	8148
22	1012	931	1221	1503	1784	2200	2332	2618	2904	3454	4268	5104	5676	6248	7084	7964	8536
23	1058	973	1277	1571	1865	2300	2438	2737	3036	3611	4462	5336	5934	6532	7406	8326	8924
24	1104	1015	1332	1639	1946	2400	2544	2856	3168	3768	4656	5568	6192	6816	7728	8688	9312
25	1150	1058	1388	1708	2028	2500	2650	2975	3300	3925	4850	5800	6450	7100	8050	9050	9700
26	1196	1100	1443	1776	2109	2600	2756	3094	3432	4082	5044	6032	6708	7384	8372	9412	10088
27	1242	1142	1499	1844	2190	2700	2862	3213	3564	4239	5238	6264	6966	7668	8694	9774	10476
28	1288	1184	1554	1912	2271	2800	2968	3332	3696	4396	5432	6496	7224	7952	9016	10136	10864
29	1334	1227	1610	1981	2352	2900	3074	3451	3828	4553	5626	6728	7482	8236	9338	10498	11252
30	1380	1269	1665	2049	2433	3000	3180	3570	3960	4710	5820	6960	7740	8520	9660	10860	11640
31	1426	1311	1721	2117	2514	3100	3286	3689	4092	4867	6014	7192	7998	8804	9982	11222	12028
32	1472	1354	1776	2186	2595	3200	3392	3808	4224	5024	6208	7424	8256	9088	10304	11584	12416
33	1518	1396	1832	2254	2676	3300	3498	3927	4356	5181	6402	7656	8514	9372	10626	11946	12804
34	1564	1438	1887	2322	2757	3400	3604	4046	4488	5338	6596	7888	8772	9656	10948	12308	13192
35	1610	1481	1943	2391	2839	3500	3710	4165	4620	5495	6790	8120	9030	9940	11270	12670	13580
36	1656	1523	1998	2459	2920	3600	3816	4284	4752	5652	6984	8352	9288	10224	11592	13032	13968

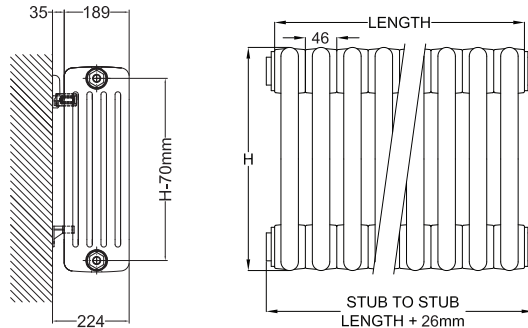
Greyed out sizes indicate weight of over 100kg

Radiators of this many elements or more, will be supplied in two sections to be joined on site.

For full multicolumn length, please add 26mm to the length of the radiator to account for end pieces.

# Heat Outputs

## 5-column radiators



Pipes fixed in concrete / solid walls. ensure radiators valve tail pieces provide flexible dimension, as with all sectional column radiators manufacturing tolerances need to be heeded.

		Radiator height															
		300	400	500	600	750	800	900	1000	1200	1500	1800	2000	2200	2500	2800	3000
Water content per element (l)		1.0	1.2	1.4	1.6	1.8	1.9	2.1	2.3	2.7	3.3	3.9	4.3	4.7	5.3	5.9	6.2
Dry weight per element (Kg)		1.2	1.6	1.9	2.3	2.8	3.1	3.3	3.7	4.4	5.5	6.5	7.2	7.9	9.0	10.1	10.8
Joined Radiator		55	55	55	55	45	45	45	45	30	25	25	25	15	25	12	12
Elements	Length	Output at $\Delta T50^\circ\text{C}$ (Watts)															
2	92	104	134	164	194	238	252	282	310	368	456	606	666	760	854	918	
3	138	156	202	247	291	357	378	423	465	552	684	819	909	999	1140	1281	1377
4	184	208	269	329	388	476	504	564	620	736	912	1092	1212	1332	1520	1708	1836
5	230	260	336	411	485	595	630	705	775	920	1140	1365	1515	1665	1900	2135	2295
6	276	311	403	493	582	714	756	846	930	1104	1368	1638	1818	1998	2280	2562	2754
7	322	363	470	575	679	833	882	987	1085	1288	1596	1911	2121	2331	2660	2989	3213
8	368	415	538	658	776	952	1008	1128	1240	1472	1824	2184	2424	2664	3040	3416	3672
9	414	467	605	740	873	1071	1134	1269	1395	1656	2052	2457	2727	2997	3420	3843	4131
10	460	519	672	822	970	1190	1260	1410	1550	1840	2280	2730	3030	3330	3800	4270	4590
11	506	571	739	904	1067	1309	1386	1551	1705	2024	2508	3003	3333	3663	4180	4697	5049
12	552	623	806	986	1164	1428	1512	1692	1860	2208	2736	3276	3636	3996	4560	5124	5508
13	598	675	874	1069	1261	1547	1638	1833	2015	2392	2964	3549	3939	4329	4940	5551	5967
14	644	727	941	1151	1358	1666	1764	1974	2170	2576	3192	3822	4242	4662	5320	5978	6426
15	690	779	1008	1233	1455	1785	1890	2115	2325	2760	3420	4095	4545	4995	5700	6405	6885
16	736	830	1075	1315	1552	1904	2016	2256	2480	2944	3648	4368	4848	5328	6080	6832	7344
17	782	882	1142	1397	1649	2023	2142	2397	2635	3128	3876	4641	5151	5661	6460	7259	7803
18	828	934	1210	1480	1746	2142	2268	2538	2790	3312	4104	4914	5454	5994	6840	7686	8262
19	874	986	1277	1562	1843	2261	2394	2679	2945	3496	4332	5187	5757	6327	7220	8113	8721
20	920	1038	1344	1644	1940	2380	2520	2820	3100	3680	4560	5460	6060	6660	7600	8540	9180
21	966	1090	1411	1726	2037	2499	2646	2961	3255	3864	4788	5733	6363	6993	7980	8967	9639
22	1012	1142	1478	1808	2134	2618	2772	3102	3410	4048	5016	6006	6666	7326	8360	9394	10098
23	1058	1194	1546	1891	2231	2737	2898	3243	3565	4232	5244	6279	6969	7659	8740	9821	10557
24	1104	1246	1613	1973	2328	2856	3024	3384	3720	4416	5472	6552	7272	7992	9120	10248	11016
25	1150	1298	1680	2055	2425	2975	3150	3525	3875	4600	5700	6825	7575	8325	9500	10675	11475
26	1196	1349	1747	2137	2522	3094	3276	3666	4030	4784	5928	7098	7878	8658	9880	11102	11934
27	1242	1401	1814	2219	2619	3213	3402	3807	4185	4968	6156	7371	8181	8991	10260	11529	12393
28	1288	1453	1882	2302	2716	3332	3528	3948	4340	5152	6384	7644	8484	9324	10640	11956	12852
29	1334	1505	1949	2384	2813	3451	3654	4089	4495	5336	6612	7917	8787	9657	11020	12383	13311
30	1380	1557	2016	2466	2910	3570	3780	4230	4650	5520	6840	8190	9090	9990	11400	12810	13770
31	1426	1609	2083	2548	3007	3689	3906	4371	4805	5704	7068	8463	9393	10323	11780	13237	14229
32	1472	1661	2150	2630	3104	3808	4032	4512	4960	5888	7296	8736	9696	10656	12160	13664	14688
33	1518	1713	2218	2713	3201	3927	4158	4653	5115	6072	7524	9009	9999	10989	12540	14091	15147
34	1564	1765	2285	2795	3298	4046	4284	4794	5270	6256	7752	9282	10302	11322	12920	14518	15606
35	1610	1817	2352	2877	3395	4165	4410	4935	5425	6440	7980	9555	10605	11655	13300	14945	16065
36	1656	1868	2419	2959	3492	4284	4536	5076	5580	6624	8208	9828	10908	11988	13680	15372	16524

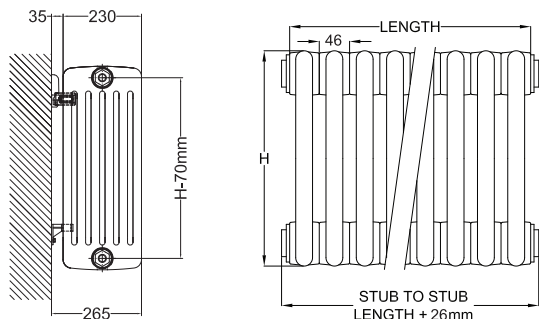
Greyed out sizes indicate weight of over 100kg

Radiators of this many elements or more, will be supplied in two sections to be joined on site.

For full multicolumn length, please add 26mm to the length of the radiator to account for end pieces.

# Heat Outputs

## 6-column radiators



Pipes fixed in concrete / solid walls. ensure radiators valve tail pieces provide flexible dimension, as with all sectional column radiators manufacturing tolerances need to be heeded.

		Radiator height															
		300	400	500	600	750	800	900	1000	1200	1500	1800	2000	2200	2500	2800	3000
Water content per element (l)		1.1	1.3	1.6	1.8	2.2	2.3	2.5	2.8	3.3	4.0	4.7	5.2	5.7	6.4	7.2	7.7
Dry weight per element (Kg)		1.5	1.9	2.3	2.7	3.4	3.8	4.0	4.4	5.2	6.5	7.7	8.6	9.5	10.8	12.1	13.3
Joined Radiator		50	50	50	50	40	40	40	40	30	20	20	15	13	15	10	10
Elements	Length	Output at $\Delta T50^{\circ}C$ (Watts)															
2	92	125	162	199	234	288	306	342	378	448	552	658	728	798	904	1012	1084
3	138	187	243	298	351	432	459	513	567	672	828	987	1092	1197	1356	1518	1626
4	184	249	324	398	468	576	612	684	756	896	1104	1316	1456	1596	1808	2024	2168
5	230	312	405	497	585	720	765	855	945	1120	1380	1645	1820	1995	2260	2530	2710
6	276	374	486	596	702	864	918	1026	1134	1344	1656	1974	2184	2394	2712	3036	3252
7	322	436	567	696	819	1008	1071	1197	1323	1568	1932	2303	2548	2793	3164	3542	3794
8	368	498	648	795	936	1152	1224	1368	1512	1792	2208	2632	2912	3192	3616	4048	4336
9	414	561	729	895	1053	1296	1377	1539	1701	2016	2484	2961	3276	3591	4068	4554	4878
10	460	623	810	994	1170	1440	1530	1710	1890	2240	2760	3290	3640	3990	4520	5060	5420
11	506	685	891	1093	1287	1584	1683	1881	2079	2464	3036	3619	4004	4389	4972	5566	5962
12	552	748	972	1193	1404	1728	1836	2052	2268	2688	3312	3948	4368	4788	5424	6072	6504
13	598	810	1053	1292	1521	1872	1989	2223	2457	2912	3588	4277	4732	5187	5876	6578	7046
14	644	872	1134	1392	1638	2016	2142	2394	2646	3136	3864	4606	5096	5586	6328	7084	7588
15	690	935	1215	1491	1755	2160	2295	2565	2835	3360	4140	4935	5460	5985	6780	7590	8130
16	736	997	1296	1590	1872	2304	2448	2736	3024	3584	4416	5264	5824	6384	7232	8096	8672
17	782	1059	1377	1690	1989	2448	2601	2907	3213	3808	4692	5593	6188	6783	7684	8602	9214
18	828	1121	1458	1789	2106	2592	2754	3078	3402	4032	4968	5922	6552	7182	8136	9108	9756
19	874	1184	1539	1889	2223	2736	2907	3249	3591	4256	5244	6251	6916	7581	8588	9614	10298
20	920	1246	1620	1988	2340	2880	3060	3420	3780	4480	5520	6580	7280	7980	9040	10120	10840
21	966	1308	1701	2087	2457	3024	3213	3591	3969	4704	5796	6909	7644	8379	9492	10626	11382
22	1012	1371	1782	2187	2574	3168	3366	3762	4158	4928	6072	7238	8008	8778	9944	11132	11924
23	1058	1433	1863	2286	2691	3312	3519	3933	4347	5152	6348	7567	8372	9177	10396	11638	12466
24	1104	1495	1944	2386	2808	3456	3672	4104	4536	5376	6624	7896	8736	9576	10848	12144	13008
25	1150	1558	2025	2485	2925	3600	3825	4275	4725	5600	6900	8225	9100	9975	11300	12650	13550
26	1196	1620	2106	2584	3042	3744	3978	4446	4914	5824	7176	8554	9464	10374	11752	13156	14092
27	1242	1682	2187	2684	3159	3888	4131	4617	5103	6048	7452	8883	9828	10773	12204	13662	14634
28	1288	1744	2268	2783	3276	4032	4284	4788	5292	6272	7728	9212	10192	11172	12656	14168	15176
29	1334	1807	2349	2883	3393	4176	4437	4959	5481	6496	8004	9541	10556	11571	13108	14674	15718
30	1380	1869	2430	2982	3510	4320	4590	5130	5670	6720	8280	9870	10920	11970	13560	15180	16260
31	1426	1931	2511	3081	3627	4464	4743	5301	5859	6944	8556	10199	11284	12369	14012	15686	16802
32	1472	1994	2592	3181	3744	4608	4896	5472	6048	7168	8832	10528	11648	12768	14464	16192	17344
33	1518	2056	2673	3280	3861	4752	5049	5643	6237	7392	9108	10857	12012	13167	14916	16698	17886
34	1564	2118	2754	3380	3978	4896	5202	5814	6426	7616	9384	11186	12376	13566	15368	17204	18428
35	1610	2181	2835	3479	4095	5040	5355	5985	6615	7840	9660	11515	12740	13965	15820	17710	18970
36	1656	2243	2916	3578	4212	5184	5508	6156	6804	8064	9936	11844	13104	14364	16272	18216	19512

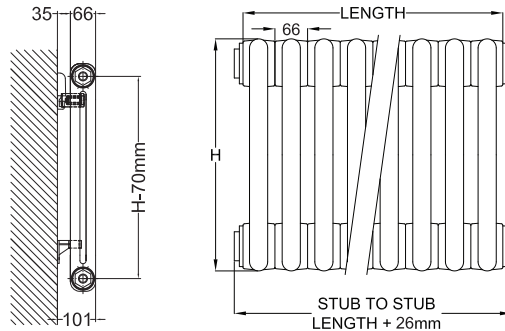
Greyed out sizes indicate weight of over 100kg

Radiators of this many elements or more, will be supplied in two sections to be joined on site.

For full multicolumn length, please add 26mm to the length of the radiator to account for end pieces.

# Heat Outputs

## Pitch Plus 2-column radiators



Pipes fixed in concrete / solid walls. ensure radiators valve tail pieces provide flexible dimension, as with all sectional column radiators manufacturing tolerances need to be heeded.

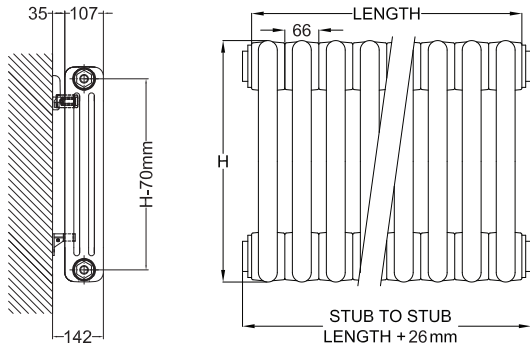
		Radiator height															
		300	400	500	600	750	800	900	1000	1200	1500	1800	2000	2200	2500	2800	3000
Water content per element (l)		0.5	0.6	0.7	0.8	0.9	0.9	1.0	1.1	1.2	1.5	1.7	1.8	2.1	2.2	2.4	2.5
Dry weight per element (Kg)		0.6	0.7	0.9	1.0	1.2	1.2	1.5	1.6	1.9	2.3	2.7	3.0	3.3	3.7	4.1	4.4
Elements	Length	Output at $\Delta T50^{\circ}C$ (Watts)															
2	132	54	68	82	96	118	126	142	158	190	239	288	324	360	414	471	506
3	198	82	102	123	143	177	189	213	238	285	358	433	487	540	622	706	758
4	264	109	136	164	191	236	252	284	317	380	477	577	649	720	829	942	1011
5	330	136	171	205	239	295	316	356	396	475	597	721	811	900	1036	1177	1264
6	396	163	205	246	287	354	379	427	475	570	716	865	973	1080	1243	1412	1517
7	462	190	239	287	335	413	442	498	554	665	835	1009	1135	1260	1450	1648	1770
8	528	218	273	328	382	472	505	569	634	760	954	1154	1298	1440	1658	1883	2022
9	594	245	307	369	430	531	568	640	713	855	1074	1298	1460	1620	1865	2119	2275
10	660	272	341	410	478	590	631	711	792	950	1193	1442	1622	1800	2072	2354	2528
11	726	299	375	451	526	649	694	782	871	1045	1312	1586	1784	1980	2279	2589	2781
12	792	326	409	492	574	708	757	853	950	1140	1432	1730	1946	2160	2486	2825	3034
13	858	354	443	533	621	767	820	924	1030	1235	1551	1875	2109	2340	2694	3060	3286
14	924	381	477	574	669	826	883	995	1109	1330	1670	2019	2271	2520	2901	3296	3539
15	990	408	512	615	717	885	947	1067	1188	1425	1790	2163	2433	2700	3108	3531	3792
16	1056	435	546	656	765	944	1010	1138	1267	1520	1909	2307	2595	2880	3315	3766	4045
17	1122	462	580	697	813	1003	1073	1209	1346	1615	2028	2451	2757	3060	3522	4002	4298
18	1188	490	614	738	860	1062	1136	1280	1426	1710	2147	2596	2920	3240	3730	4237	4550
19	1254	517	648	779	908	1121	1199	1351	1505	1805	2267	2740	3082	3420	3937	4473	4803
20	1320	544	682	820	956	1180	1262	1422	1584	1900	2386	2884	3244	3600	4144	4708	5056
21	1386	571	716	861	1004	1239	1325	1493	1663	1995	2505	3028	3406	3780	4351	4943	5309
22	1452	598	750	902	1052	1298	1388	1564	1742	2090	2625	3172	3568	3960	4558	5179	5562
23	1518	626	784	943	1099	1357	1451	1635	1822	2185	2744	3317	3731	4140	4766	5414	5814
24	1584	653	818	984	1147	1416	1514	1706	1901	2280	2863	3461	3893	4320	4973	5650	6067
25	1650	680	853	1025	1195	1475	1578	1778	1980	2375	2983	3605	4055	4500	5180	5885	6320
26	1716	707	887	1066	1243	1534	1641	1849	2059	2470	3102	3749	4217	4680	5387	6120	6573
27	1782	734	921	1107	1291	1593	1704	1920	2138	2565	3221	3893	4379	4860	5594	6356	6826
28	1848	762	955	1148	1338	1652	1767	1991	2218	2660	3340	4038	4542	5040	5802	6591	7078
29	1914	789	989	1189	1386	1711	1830	2062	2297	2755	3460	4182	4704	5220	6009	6827	7331
30	1980	816	1023	1230	1434	1770	1893	2133	2376	2850	3579	4326	4866	5400	6216	7062	7584
31	2046	843	1057	1271	1482	1829	1956	2204	2455	2945	3698	4470	5028	5580	6423	7297	7837
32	2112	870	1091	1312	1530	1888	2019	2275	2534	3040	3818	4614	5190	5760	6630	7533	8090
33	2178	898	1125	1353	1577	1947	2082	2346	2614	3135	3937	4759	5353	5940	6838	7768	8342
34	2244	925	1159	1394	1625	2006	2145	2417	2693	3230	4056	4903	5515	6120	7045	8004	8595
35	2310	952	1194	1435	1673	2065	2209	2489	2772	3325	4176	5047	5677	6300	7252	8239	8848
36	2376	979	1228	1476	1721	2124	2272	2560	2851	3420	4295	5191	5839	6480	7459	8474	9101

Greyed out sizes indicate weight of over 100kg

For full multicolumn length, please add 26mm to the length of the radiator to account for end pieces.

# Heat Outputs

## Pitch Plus 3-column radiators



Pipes fixed in concrete / solid walls. ensure radiators valve tail pieces provide flexible dimension, as with all sectional column radiators manufacturing tolerances need to be heeded.

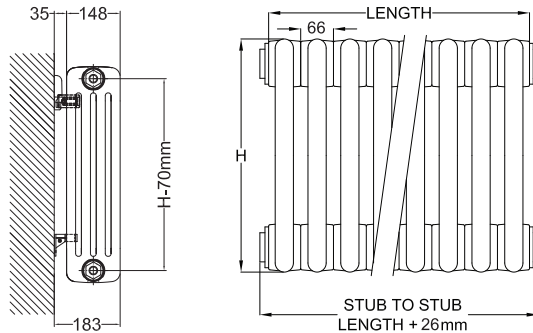
		Radiator height															
		300	400	500	600	750	800	900	1000	1200	1500	1800	2000	2200	2500	2800	3000
Water content per element (l)		0.7	0.8	0.9	1.0	1.2	1.2	1.4	1.5	1.7	2.1	2.4	2.6	2.9	3.3	3.7	3.9
Dry weight per element (Kg)		0.8	1.0	1.3	1.5	1.8	1.8	2.2	2.4	2.8	3.4	4.1	4.5	4.9	5.4	6.1	6.5
Elements	Length	Output at $\Delta T50^{\circ}C$ (Watts)															
2	132	74	93	111	130	159	170	192	214	258	323	392	442	491	566	644	700
3	198	111	140	167	195	239	256	288	321	387	485	589	662	736	849	966	1050
4	264	148	186	223	260	318	341	384	428	516	646	785	883	981	1132	1288	1400
5	330	185	233	279	325	398	426	481	535	645	808	981	1104	1227	1415	1611	1751
6	396	222	279	334	390	478	511	577	642	773	970	1177	1325	1472	1697	1933	2101
7	462	259	326	390	455	557	596	673	749	902	1131	1373	1546	1717	1980	2255	2451
8	528	296	372	446	520	637	682	769	856	1031	1293	1570	1766	1962	2263	2577	2801
9	594	333	419	501	585	716	767	865	963	1160	1454	1766	1987	2208	2546	2899	3151
10	660	370	465	557	650	796	852	961	1070	1289	1616	1962	2208	2453	2829	3221	3501
11	726	407	512	613	715	876	937	1057	1177	1418	1778	2158	2429	2698	3112	3543	3851
12	792	444	558	668	780	955	1022	1153	1284	1547	1939	2354	2650	2944	3395	3865	4201
13	858	481	605	724	845	1035	1108	1249	1391	1676	2101	2551	2870	3189	3678	4187	4551
14	924	518	651	780	910	1114	1193	1345	1498	1805	2262	2747	3091	3434	3961	4509	4901
15	990	555	698	836	975	1194	1278	1442	1605	1934	2424	2943	3312	3680	4244	4832	5252
16	1056	592	744	891	1040	1274	1363	1538	1712	2062	2586	3139	3533	3925	4526	5154	5602
17	1122	629	791	947	1105	1353	1448	1634	1819	2191	2747	3335	3754	4170	4809	5476	5952
18	1188	666	837	1003	1170	1433	1534	1730	1926	2320	2909	3532	3974	4415	5092	5798	6302
19	1254	703	884	1058	1235	1512	1619	1826	2033	2449	3070	3728	4195	4661	5375	6120	6652
20	1320	740	930	1114	1300	1592	1704	1922	2140	2578	3232	3924	4416	4906	5658	6442	7002
21	1386	777	977	1170	1365	1672	1789	2018	2247	2707	3394	4120	4637	5151	5941	6764	7352
22	1452	814	1023	1225	1430	1751	1874	2114	2354	2836	3555	4316	4858	5397	6224	7086	7702
23	1518	851	1070	1281	1495	1831	1960	2210	2461	2965	3717	4513	5078	5642	6507	7408	8052
24	1584	888	1116	1337	1560	1910	2045	2306	2568	3094	3878	4709	5299	5887	6790	7730	8402
25	1650	925	1163	1393	1625	1990	2130	2403	2675	3223	4040	4905	5520	6133	7073	8053	8753
26	1716	962	1209	1448	1690	2070	2215	2499	2782	3351	4202	5101	5741	6378	7355	8375	9103
27	1782	999	1256	1504	1755	2149	2300	2595	2889	3480	4363	5297	5962	6623	7638	8697	9453
28	1848	1036	1302	1560	1820	2229	2386	2691	2996	3609	4525	5494	6182	6868	7921	9019	9803
29	1914	1073	1349	1615	1885	2308	2471	2787	3103	3738	4686	5690	6403	7114	8204	9341	10153
30	1980	1110	1395	1671	1950	2388	2556	2883	3210	3867	4848	5886	6624	7359	8487	9663	10503
31	2046	1147	1442	1727	2015	2468	2641	2979	3317	3996	5010	6082	6845	7604	8770	9985	10853
32	2112	1184	1488	1782	2080	2547	2726	3075	3424	4125	5171	6278	7066	7850	9053	10307	11203
33	2178	1221	1535	1838	2145	2627	2812	3171	3531	4254	5333	6475	7286	8095	9336	10629	11553
34	2244	1258	1581	1894	2210	2706	2897	3267	3638	4383	5494	6671	7507	8340	9619	10951	11903
35	2310	1295	1628	1950	2275	2786	2982	3364	3745	4512	5656	6867	7728	8586	9902	11274	12254
36	2376	1332	1674	2005	2340	2866	3067	3460	3852	4640	5818	7063	7949	8831	10184	11596	12604

Greyed out sizes indicate weight of over 100kg

For full multicolumn length, please add 26mm to the length of the radiator to account for end pieces.

# Heat Outputs

## Pitch Plus 4-column radiators



Pipes fixed in concrete / solid walls. ensure radiators valve tail pieces provide flexible dimension, as with all sectional column radiators manufacturing tolerances need to be heeded.

		Radiator height															
		300	400	500	600	750	800	900	1000	1200	1500	1800	2000	2200	2500	2800	3000
Water content per element (l)		0.9	1.0	1.2	1.3	1.6	1.6	1.8	2.0	2.3	2.8	3.2	3.5	3.8	4.3	4.8	5.1
Dry weight per element (Kg)		1.0	1.3	1.6	1.9	2.3	2.4	2.7	3.0	3.6	4.5	5.4	5.9	6.4	7.2	7.9	8.5
Elements	Length	Output at $\Delta T50^\circ\text{C}$ (Watts)															
2	132	93	121	147	174	214	229	259	289	348	435	525	588	649	741	835	901
3	198	140	182	221	260	321	344	389	434	521	653	787	882	974	1112	1253	1351
4	264	186	242	295	347	428	458	518	579	695	870	1050	1176	1298	1482	1670	1801
5	330	233	303	369	434	535	573	648	724	869	1088	1312	1470	1623	1853	2088	2252
6	396	279	363	442	521	642	688	778	868	1043	1306	1574	1763	1948	2224	2506	2702
7	462	326	424	516	608	749	802	907	1013	1217	1523	1837	2057	2272	2594	2923	3152
8	528	372	484	590	694	856	917	1037	1158	1390	1741	2099	2351	2597	2965	3341	3602
9	594	419	545	663	781	963	1031	1166	1302	1564	1958	2362	2645	2921	3335	3758	4053
10	660	465	605	737	868	1070	1146	1296	1447	1738	2176	2624	2939	3246	3706	4176	4503
11	726	512	666	811	955	1177	1261	1426	1592	1912	2394	2886	3233	3571	4077	4594	4953
12	792	558	726	884	1042	1284	1375	1555	1736	2086	2611	3149	3527	3895	4447	5011	5404
13	858	605	787	958	1128	1391	1490	1685	1881	2259	2829	3411	3821	4220	4818	5429	5854
14	924	651	847	1032	1215	1498	1604	1814	2026	2433	3046	3674	4115	4544	5188	5846	6304
15	990	698	908	1106	1302	1605	1719	1944	2171	2607	3264	3936	4409	4869	5559	6264	6755
16	1056	744	968	1179	1389	1712	1834	2074	2315	2781	3482	4198	4702	5194	5930	6682	7205
17	1122	791	1029	1253	1476	1819	1948	2203	2460	2955	3699	4461	4996	5518	6300	7099	7655
18	1188	837	1089	1327	1562	1926	2063	2333	2605	3128	3917	4723	5290	5843	6671	7517	8105
19	1254	884	1150	1400	1649	2033	2177	2462	2749	3302	4134	4986	5584	6167	7041	7934	8556
20	1320	930	1210	1474	1736	2140	2292	2592	2894	3476	4352	5248	5878	6492	7412	8352	9006
21	1386	977	1271	1548	1823	2247	2407	2722	3039	3650	4570	5510	6172	6817	7783	8770	9456
22	1452	1023	1331	1621	1910	2354	2521	2851	3183	3824	4787	5773	6466	7141	8153	9187	9907
23	1518	1070	1392	1695	1996	2461	2636	2981	3328	3997	5005	6035	6760	7466	8524	9605	10357
24	1584	1116	1452	1769	2083	2568	2750	3110	3473	4171	5222	6298	7054	7790	8894	10022	10807
25	1650	1163	1513	1843	2170	2675	2865	3240	3618	4345	5440	6560	7348	8115	9265	10440	11258
26	1716	1209	1573	1916	2257	2782	2980	3370	3762	4519	5658	6822	7641	8440	9636	10858	11708
27	1782	1256	1634	1990	2344	2889	3094	3499	3907	4693	5875	7085	7935	8764	10006	11275	12158
28	1848	1302	1694	2064	2430	2996	3209	3629	4052	4866	6093	7347	8229	9089	10377	11693	12608
29	1914	1349	1755	2137	2517	3103	3323	3758	4196	5040	6310	7610	8523	9413	10747	12110	13059
30	1980	1395	1815	2211	2604	3210	3438	3888	4341	5214	6528	7872	8817	9738	11118	12528	13509
31	2046	1442	1876	2285	2691	3317	3553	4018	4486	5388	6746	8134	9111	10063	11489	12946	13959
32	2112	1488	1936	2358	2778	3424	3667	4147	4630	5562	6963	8397	9405	10387	11859	13363	14410
33	2178	1535	1997	2432	2864	3531	3782	4277	4775	5735	7181	8659	9699	10712	12230	13781	14860
34	2244	1581	2057	2506	2951	3638	3896	4406	4920	5909	7398	8922	9993	11036	12600	14198	15310
35	2310	1628	2118	2580	3038	3745	4011	4536	5065	6083	7616	9184	10287	11361	12971	14616	15761
36	2376	1674	2178	2653	3125	3852	4126	4666	5209	6257	7834	9446	10580	11686	13342	15034	16211

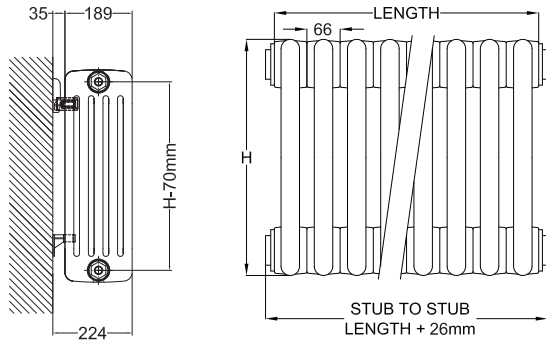
Greyed out sizes indicate weight of over 100kg

For full multicolumn length, please add 26mm to the length of the radiator to account for end pieces.



# Heat Outputs

## Pitch Plus 5-column radiators



Pipes fixed in concrete / solid walls. ensure radiators valve tail pieces provide flexible dimension, as with all sectional column radiators manufacturing tolerances need to be heeded.

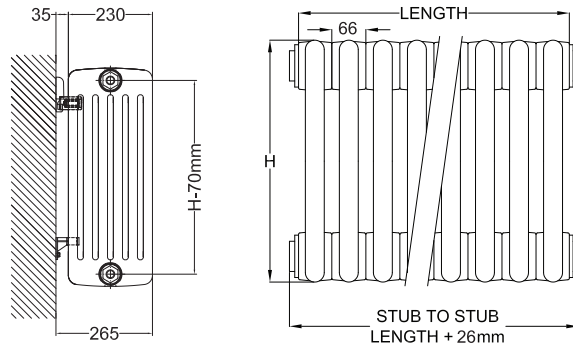
		Radiator height															
		300	400	500	600	750	800	900	1000	1200	1500	1800	2000	2200	2500	2800	3000
Water content per element (l)		1.1	1.3	1.5	1.7	1.9	1.9	2.2	2.4	2.8	3.4	4.0	4.4	4.8	5.4	6.0	6.3
Dry weight per element (Kg)		1.3	1.7	2.0	2.4	2.9	3.1	3.4	3.8	4.5	5.6	6.6	7.3	8.0	9.1	10.2	10.9
Elements	Length	Output at $\Delta T50^{\circ}C$ (Watts)															
2	132	111	144	176	208	254	272	307	342	410	512	617	690	763	873	987	1065
3	198	167	216	264	311	382	408	461	513	614	768	925	1036	1145	1310	1480	1598
4	264	222	288	352	415	509	544	614	684	819	1024	1234	1381	1526	1747	1973	2131
5	330	278	360	440	519	636	681	768	855	1024	1280	1542	1726	1908	2184	2467	2664
6	396	333	431	527	623	763	817	922	1025	1229	1535	1850	2071	2290	2620	2960	3196
7	462	389	503	615	727	890	953	1075	1196	1434	1791	2159	2416	2671	3057	3453	3729
8	528	444	575	703	830	1018	1089	1229	1367	1638	2047	2467	2762	3053	3494	3946	4262
9	594	500	647	791	934	1145	1225	1382	1538	1843	2303	2776	3107	3434	3930	4440	4794
10	660	555	719	879	1038	1272	1361	1536	1709	2048	2559	3084	3452	3816	4367	4933	5327
11	726	611	791	967	1142	1399	1497	1690	1880	2253	2815	3392	3797	4198	4804	5426	5860
12	792	666	863	1055	1246	1526	1633	1843	2051	2458	3071	3701	4142	4579	5240	5920	6392
13	858	722	935	1143	1349	1654	1769	1997	2222	2662	3327	4009	4488	4961	5677	6413	6925
14	924	777	1007	1231	1453	1781	1905	2150	2393	2867	3583	4318	4833	5342	6114	6906	7458
15	990	833	1079	1319	1557	1908	2042	2304	2564	3072	3839	4626	5178	5724	6551	7400	7991
16	1056	888	1150	1406	1661	2035	2178	2458	2734	3277	4094	4934	5523	6106	6987	7893	8523
17	1122	944	1222	1494	1765	2162	2314	2611	2905	3482	4350	5243	5868	6487	7424	8386	9056
18	1188	999	1294	1582	1868	2290	2450	2765	3076	3686	4606	5551	6214	6869	7861	8879	9589
19	1254	1055	1366	1670	1972	2417	2586	2918	3247	3891	4862	5860	6559	7250	8297	9373	10121
20	1320	1110	1438	1758	2076	2544	2722	3072	3418	4096	5118	6168	6904	7632	8734	9866	10654
21	1386	1166	1510	1846	2180	2671	2858	3226	3589	4301	5374	6476	7249	8014	9171	10359	11187
22	1452	1221	1582	1934	2284	2798	2994	3379	3760	4506	5630	6785	7594	8395	9607	10853	11719
23	1518	1277	1654	2022	2387	2926	3130	3533	3931	4710	5886	7093	7940	8777	10044	11346	12252
24	1584	1332	1726	2110	2491	3053	3266	3686	4102	4915	6142	7402	8285	9158	10481	11839	12785
25	1650	1388	1798	2198	2595	3180	3403	3840	4273	5120	6398	7710	8630	9540	10918	12333	13318
26	1716	1443	1869	2285	2699	3307	3539	3994	4443	5325	6653	8018	8975	9922	11354	12826	13850
27	1782	1499	1941	2373	2803	3434	3675	4147	4614	5530	6909	8327	9320	10303	11791	13319	14383
28	1848	1554	2013	2461	2906	3562	3811	4301	4785	5734	7165	8635	9666	10685	12228	13812	14916
29	1914	1610	2085	2549	3010	3689	3947	4454	4956	5939	7421	8944	10011	11066	12664	14306	15448
30	1980	1665	2157	2637	3114	3816	4083	4608	5127	6144	7677	9252	10356	11448	13101	14799	15981
31	2046	1721	2229	2725	3218	3943	4219	4762	5298	6349	7933	9560	10701	11830	13538	15292	16514
32	2112	1776	2301	2813	3322	4070	4355	4915	5469	6554	8189	9869	11046	12211	13974	15786	17046
33	2178	1832	2373	2901	3425	4198	4491	5069	5640	6758	8445	10177	11392	12593	14411	16279	17579
34	2244	1887	2445	2989	3529	4325	4627	5222	5811	6963	8701	10486	11737	12974	14848	16772	18112
35	2310	1943	2517	3077	3633	4452	4764	5376	5982	7168	8957	10794	12082	13356	15285	17266	18645
36	2376	1998	2588	3164	3737	4579	4900	5530	6152	7373	9212	11102	12427	13738	15721	17759	19177

Greyed out sizes indicate weight of over 100kg

For full multicolumn length, please add 26mm to the length of the radiator to account for end pieces.

# Heat Outputs

## Pitch Plus 6-column radiators



Pipes fixed in concrete / solid walls. ensure radiators valve tail pieces provide flexible dimension, as with all sectional column radiators manufacturing tolerances need to be heeded.

		Radiator height															
		300	400	500	600	750	800	900	1000	1200	1500	1800	2000	2200	2500	2800	3000
Water content per element (l)		1.2	1.4	1.7	1.9	2.3	2.3	2.6	2.9	3.4	4.1	4.8	5.3	5.8	6.5	7.2	7.8
Dry weight per element (Kg)		1.6	2.0	2.4	2.8	3.5	3.8	4.1	4.5	5.3	6.6	7.8	8.7	9.6	10.9	12.2	13.4
Elements	Length	Output at $\Delta T50^{\circ}C$ (Watts)															
2	132	133	173	213	251	309	330	373	415	497	619	743	830	914	1041	1169	1257
3	198	200	260	320	377	464	496	559	623	745	928	1115	1245	1371	1561	1753	1886
4	264	267	347	426	503	618	661	745	830	993	1238	1486	1660	1828	2081	2337	2514
5	330	334	434	533	629	773	826	932	1038	1242	1547	1858	2075	2285	2602	2922	3143
6	396	400	520	639	754	928	991	1118	1246	1490	1856	2230	2489	2742	3122	3506	3772
7	462	467	607	746	880	1082	1156	1304	1453	1738	2166	2601	2904	3199	3642	4090	4400
8	528	534	694	852	1006	1237	1322	1490	1661	1986	2475	2973	3319	3656	4162	4674	5029
9	594	600	780	959	1131	1391	1487	1677	1868	2235	2785	3344	3734	4113	4683	5259	5657
10	660	667	867	1065	1257	1546	1652	1863	2076	2483	3094	3716	4149	4570	5203	5843	6286
11	726	734	954	1172	1383	1701	1817	2049	2284	2731	3403	4088	4564	5027	5723	6427	6915
12	792	800	1040	1278	1508	1855	1982	2236	2491	2980	3713	4459	4979	5484	6244	7012	7543
13	858	867	1127	1385	1634	2010	2148	2422	2699	3228	4022	4831	5394	5941	6764	7596	8172
14	924	934	1214	1491	1760	2164	2313	2608	2906	3476	4332	5202	5809	6398	7284	8180	8800
15	990	1001	1301	1598	1886	2319	2478	2795	3114	3725	4641	5574	6224	6855	7805	8765	9429
16	1056	1067	1387	1704	2011	2474	2643	2981	3322	3973	4950	5946	6638	7312	8325	9349	10058
17	1122	1134	1474	1811	2137	2628	2808	3167	3529	4221	5260	6317	7053	7769	8845	9933	10686
18	1188	1201	1561	1917	2263	2783	2974	3353	3737	4469	5569	6689	7468	8226	9365	10517	11315
19	1254	1267	1647	2024	2388	2937	3139	3540	3944	4718	5879	7060	7883	8683	9886	11102	11943
20	1320	1334	1734	2130	2514	3092	3304	3726	4152	4966	6188	7432	8298	9140	10406	11686	12572
21	1386	1401	1821	2237	2640	3247	3469	3912	4360	5214	6497	7804	8713	9597	10926	12270	13201
22	1452	1467	1907	2343	2765	3401	3634	4099	4567	5463	6807	8175	9128	10054	11447	12855	13829
23	1518	1534	1994	2450	2891	3556	3800	4285	4775	5711	7116	8547	9543	10511	11967	13439	14458
24	1584	1601	2081	2556	3017	3710	3965	4471	4982	5959	7426	8918	9958	10968	12487	14023	15086
25	1650	1668	2168	2663	3143	3865	4130	4658	5190	6208	7735	9290	10373	11425	13008	14608	15715
26	1716	1734	2254	2769	3268	4020	4295	4844	5398	6456	8044	9662	10787	11882	13528	15192	16344
27	1782	1801	2341	2876	3394	4174	4460	5030	5605	6704	8354	10033	11202	12339	14048	15776	16972
28	1848	1868	2428	2982	3520	4329	4626	5216	5813	6952	8663	10405	11617	12796	14568	16360	17601
29	1914	1934	2514	3089	3645	4483	4791	5403	6020	7201	8973	10776	12032	13253	15089	16945	18229
30	1980	2001	2601	3195	3771	4638	4956	5589	6228	7449	9282	11148	12447	13710	15609	17529	18858
31	2046	2068	2688	3302	3897	4793	5121	5775	6436	7697	9591	11520	12862	14167	16129	18113	19487
32	2112	2134	2774	3408	4022	4947	5286	5962	6643	7946	9901	11891	13277	14624	16650	18698	20115
33	2178	2201	2861	3515	4148	5102	5452	6148	6851	8194	10210	12263	13692	15081	17170	19282	20744
34	2244	2268	2948	3621	4274	5256	5617	6334	7058	8442	10520	12634	14107	15538	17690	19866	21372
35	2310	2335	3035	3728	4400	5411	5782	6521	7266	8691	10829	13006	14522	15995	18211	20451	22001
36	2376	2401	3121	3834	4525	5566	5947	6707	7474	8939	11138	13378	14936	16452	18731	21035	22630

Greyed out sizes indicate weight of over 100kg

For full multicolumn length, please add 26mm to the length of the radiator to account for end pieces.