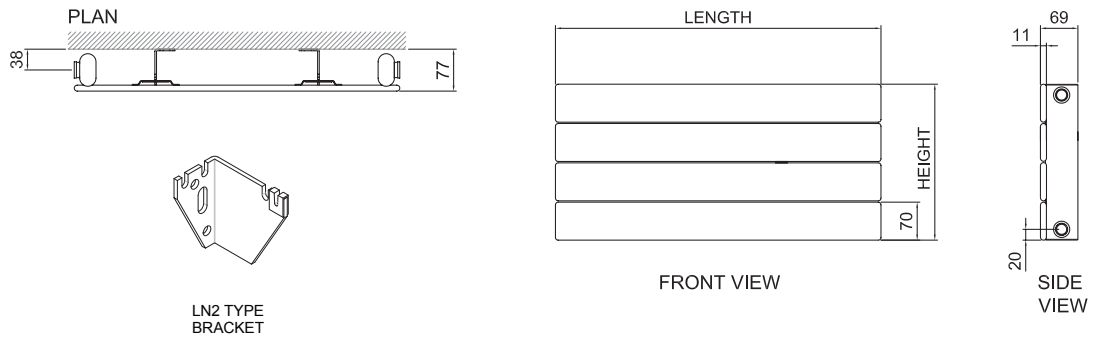


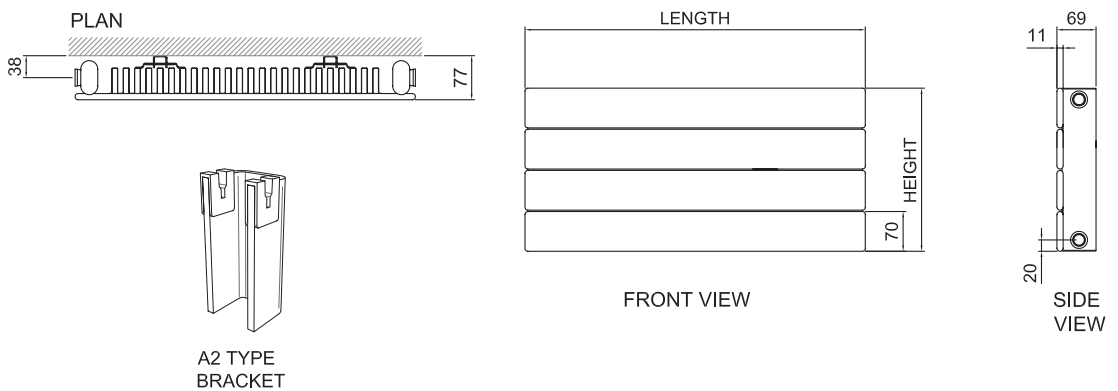
Technical Specification

Precision Horizontal

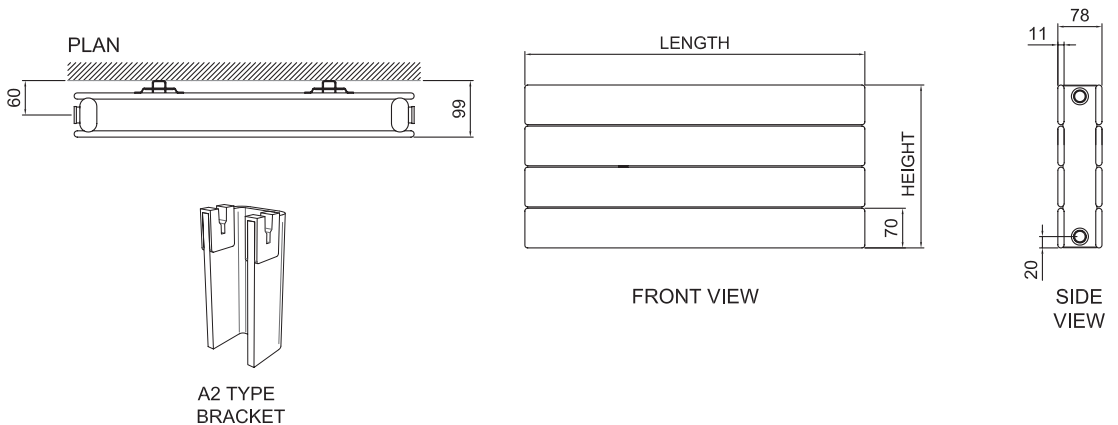
Type H10 - Standard model shown with 1/2" (15mm) ABCD connections



Type H11 - Standard model shown with 1/2" (15mm) ABCD connections



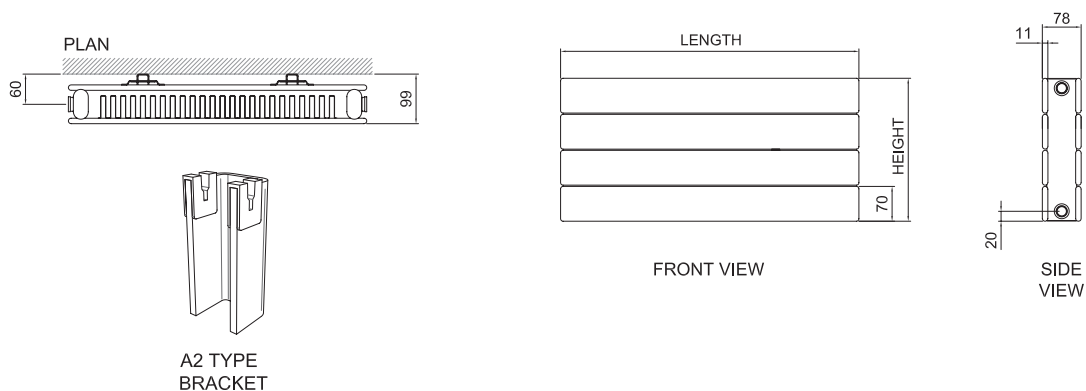
Type H20 - Standard model shown with 1/2" (15mm) ABCD connections



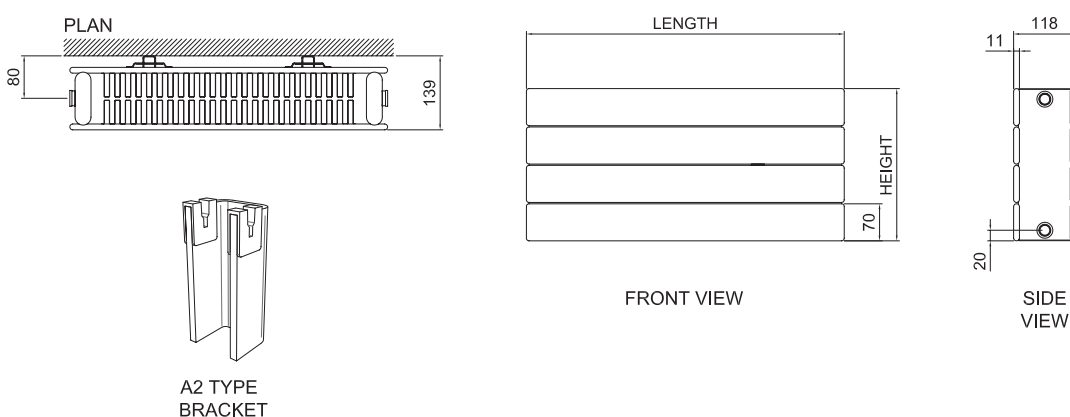
Technical Specification

Precision Horizontal

Type H21 - Standard model shown with 1/2" (15mm) ABCD connections



Type H22S - Standard model shown with 1/2" (15mm) ABCD connections

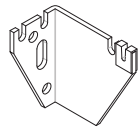
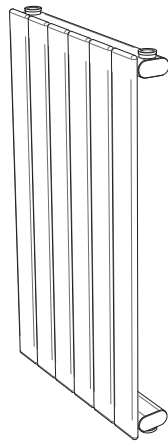


For connection details, see page 27.

Technical Specification

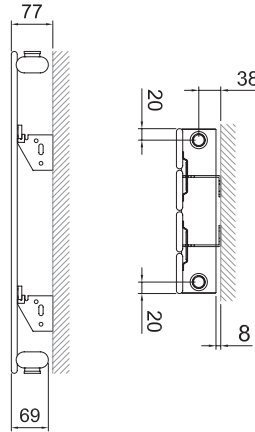
Precision Vertical

V10

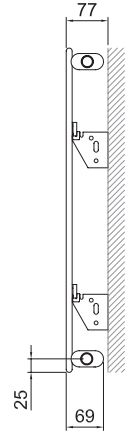


LN2 TYPE BRACKET

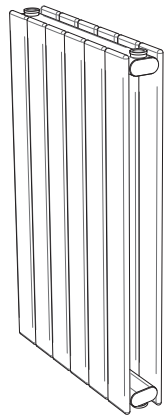
EF (GH) Connections



BD (AC) Connections

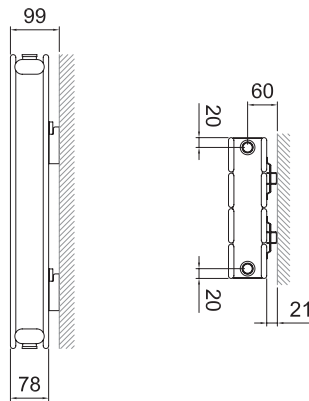


V20



A2 TYPE BRACKET

EF (GH) Connections



BD (AC) Connections

