

Heat Outputs & Data Charts

Edge & Groove

Note: To be used only on an indirect or closed heating system

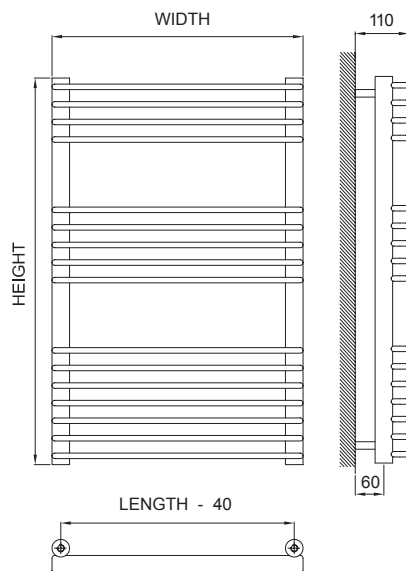
Edge

Height	800mm			1200mm			1800mm		
Width	500	600	750	500	600	750	500	600	750
Dry weight (kgs)	9.3	10.7	12.9	13.8	16	19.3	22	25.6	30.9
Water content (l)	3.3	3.6	4	4.8	5.2	6	7.7	8.5	9.8
Number of elements	16	16	16	24	24	24	39	39	39
	Output (Watts)			Output (Watts)			Output (Watts)		
$\Delta T50$	434	504	609	628	733	890	1005	1172	1423

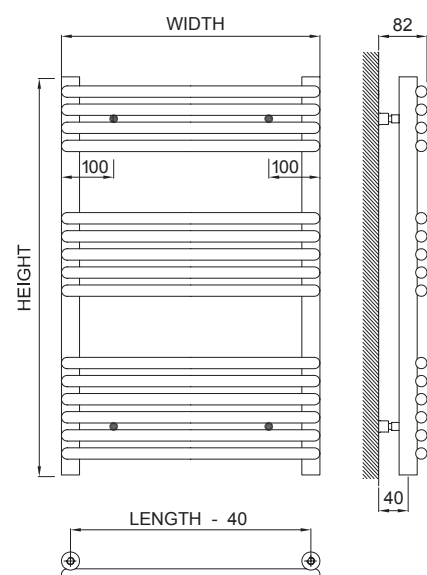
Groove

Height	800mm			1200mm			1800mm		
Width	500	600	750	500	600	750	500	600	750
Dry weight (kgs)	9	10.4	12.6	13.1	15.7	18.9	20.8	24	30
Water content (l)	3.6	4	4.6	5.4	6	6.9	8.1	9	10.5
Number of elements	16	16	16	24	24	24	37	37	37
	Output (Watts)			Output (Watts)			Output (Watts)		
$\Delta T50$	393	463	569	579	684	841	888	1044	1279

EDGE



GROOVE



Recommended Electrical Element for Edge & Groove

Height	800	1200	1800
All widths	200 Watt	300 Watt	300 Watt
Part Number	EE002	EE003	EE003

Heat Outputs & Data Charts

Crystal Straight & Crystal Curved

Crystal Straight

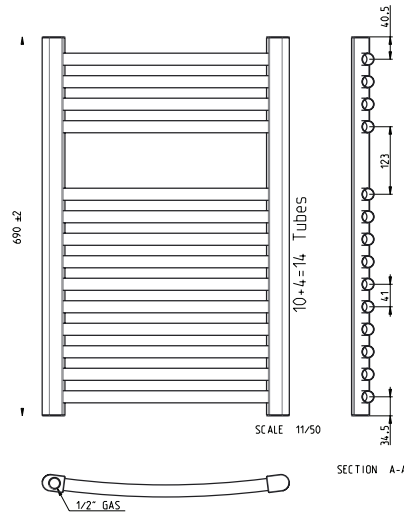
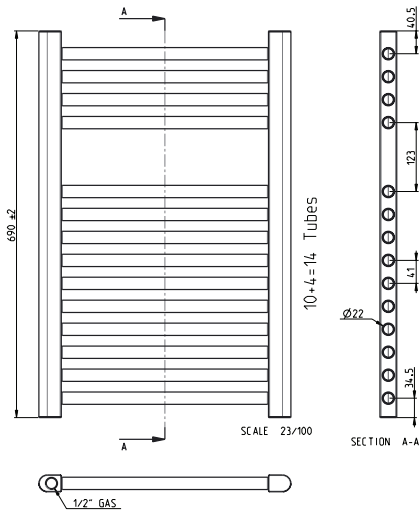
Height	690mm		1230mm		1703mm	
Width	450	600	450	600	-	600
Dry weight (kgs)	5.1	6.2	10.1	11.3	-	15.4
Water content (l)	2.9	3.6	5.6	6.8	-	9.0
Number of elements	14	14	25	25	-	35
WHITE	Output (Watts)		Output (Watts)		Output (Watts)	
$\Delta T50$	301	386	522	669	-	940

CHROME	690mm		1230mm		1703mm	
	Output (Watts)		Output (Watts)		Output (Watts)	
$\Delta T50$	195	251	356	464	-	644

Crystal Curved

Height	690mm		1230mm		1703mm	
Width	450	600	450	600	-	600
Dry weight (kgs)	5.1	6.2	10.1	11.3	-	15.4
Water content (l)	2.9	3.6	5.6	6.8	-	9.0
Number of elements	14	14	25	25	-	35
WHITE	Output (Watts)		Output (Watts)		Output (Watts)	
$\Delta T50$	301	386	522	669	-	940

CHROME	690mm		1230mm		1703mm	
	Output (Watts)		Output (Watts)		Output (Watts)	
$\Delta T50$	195	251	356	464	-	644



Recommended Electrical Element for Crystal		
Radiator Height	Element Order	Output Watts
	Part Number	
All Heights	EE002	200

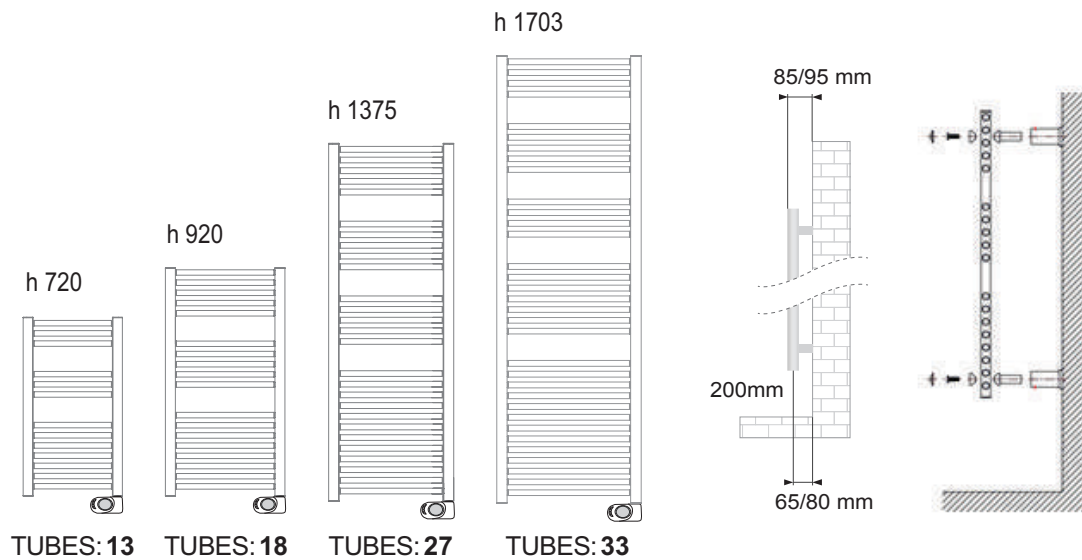
Heat Outputs & Data Charts

Crystal E

Crystal E Straight

Height	720mm	920mm	1375mm	1703mm
Width	400	480	480	550
Number of elements	13	18	27	33
Dry weight (kgs)	7.7	9.4	14.7	24.1
WHITE	Output (Watts)	Output (Watts)	Output (Watts)	Output (Watts)
$\Delta T50$	300	500	750	1000

CHROME	720mm	920mm	1375mm	1703mm
	Output (Watts)	Output (Watts)	Output (Watts)	Output (Watts)
$\Delta T50$	200	300	500	750



*not available as a curve model
 Sizes also available without controller for contract use.