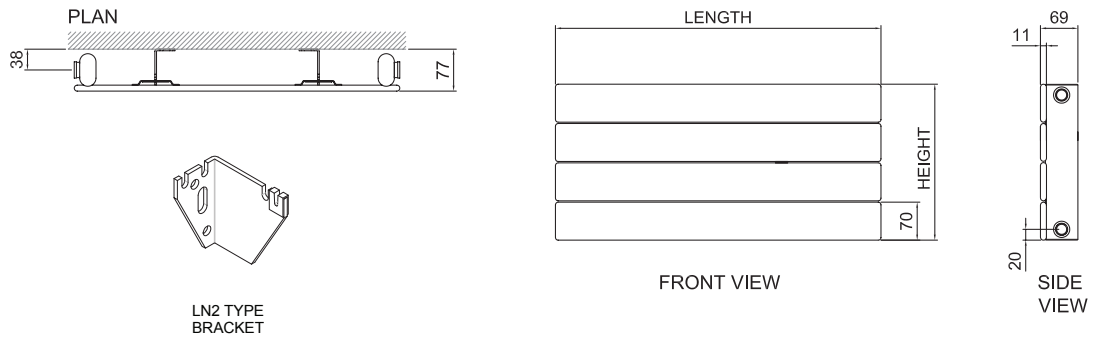


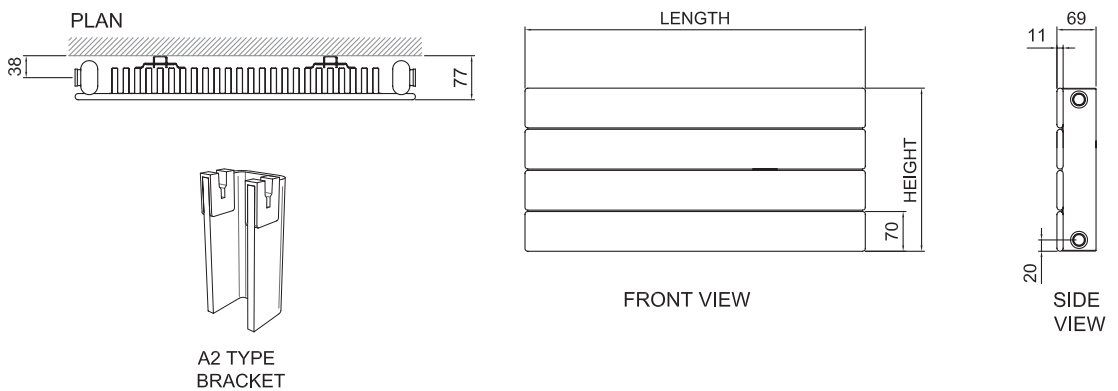
Technical Specification

Precision Horizontal

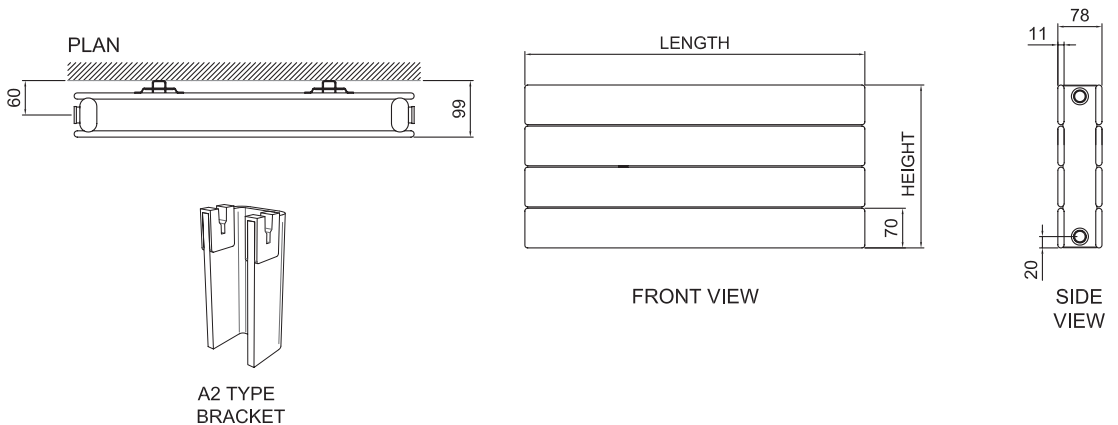
Type H10 - Standard model shown with 1/2" (15mm) ABCD connections



Type H11 - Standard model shown with 1/2" (15mm) ABCD connections



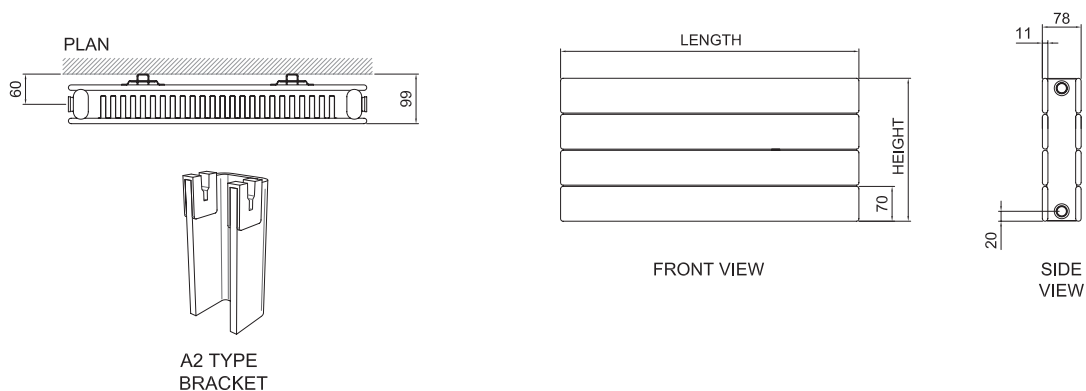
Type H20 - Standard model shown with 1/2" (15mm) ABCD connections



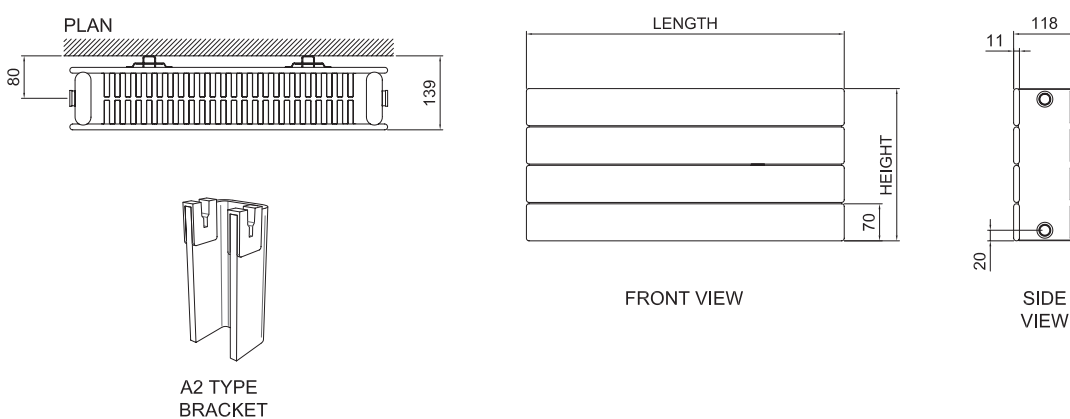
Technical Specification

Precision Horizontal

Type H21 - Standard model shown with 1/2" (15mm) ABCD connections



Type H22S - Standard model shown with 1/2" (15mm) ABCD connections



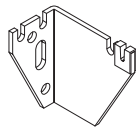
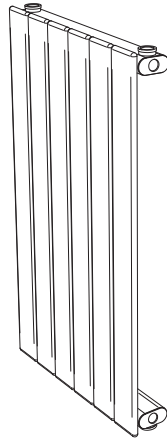
For connection details, see page 27.

Technical Specification

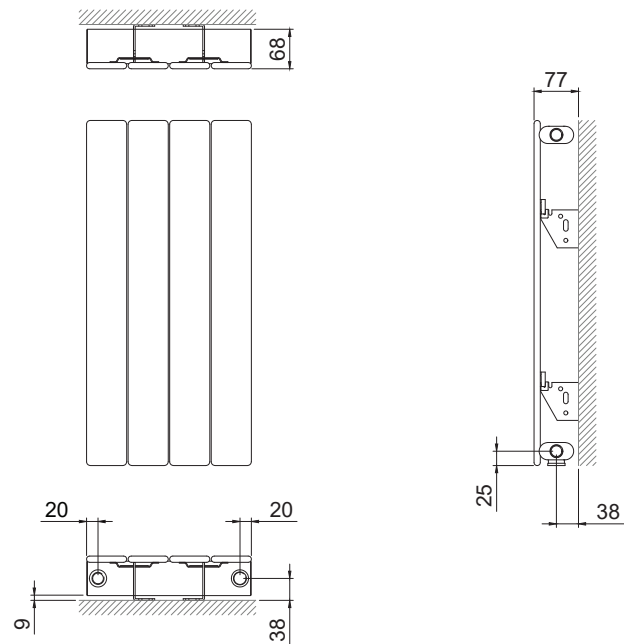
Precision Vertical

V10

EF/BD/AC Connections

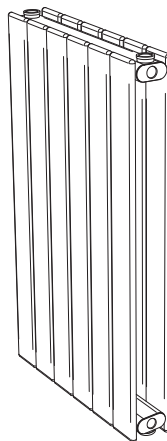


LN2 TYPE
BRACKET



V20

EF/BD/AC Connections



A2 TYPE
BRACKET

