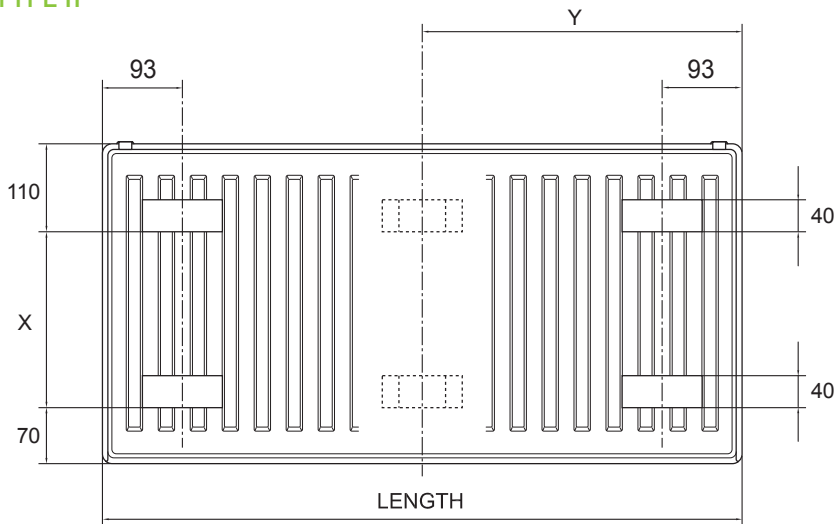


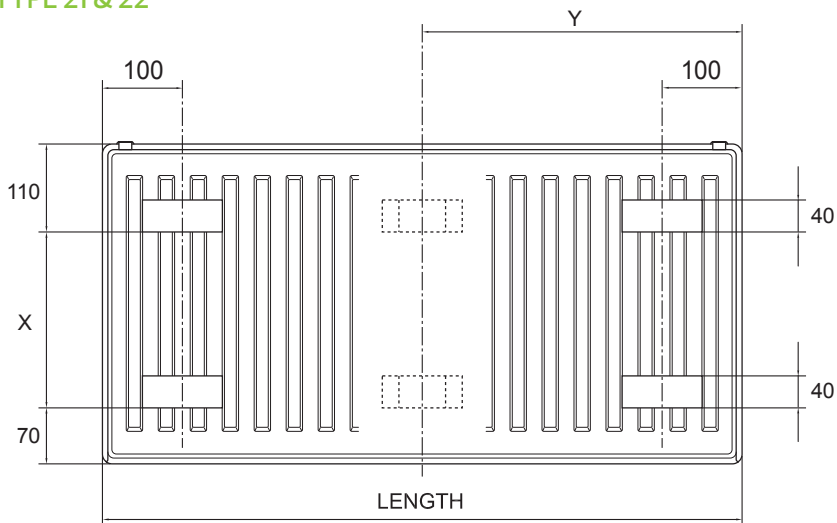
# Technical Specification

## Bracket Positions & Dimensions

### TYPE 11



### TYPE 21 & 22



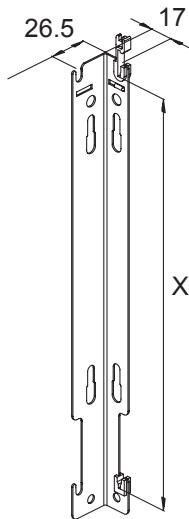
Dimension Y =  $\frac{\text{Overall Length}}{2}$

For all radiators with an overall length of 1800mm and above.

Radiator Height (mm)	'X' (mm)
300	120
400	220
500	320
600	420

# Mounting Details

## Wall Brackets



Radiator Height (mm)	'X' (mm)
300	123
400	223
500	323
600	423

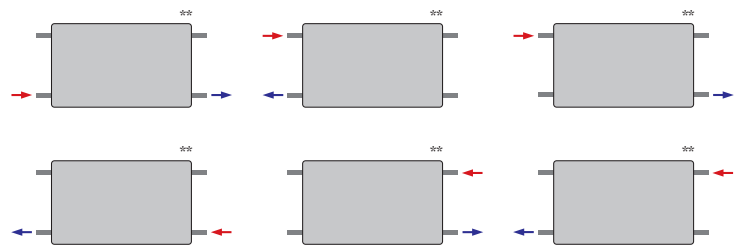
## Connection Options

For Optimum Performance: Centre Connection 2 x 3/4"



\*Flow specific.

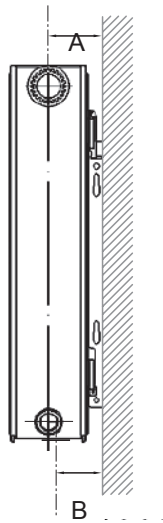
External thread 4 x 1/2" BSP



\*\*When installing the Fascia and Primo Plus radiators using the standard 4 x 1/2" BSP connections, the 3/4" bottom centre connections must be capped off using chrome caps.

NOTE: If using any of the above connections, the pre-set valve and baffle on the vent plug need to be removed and capped where necessary.

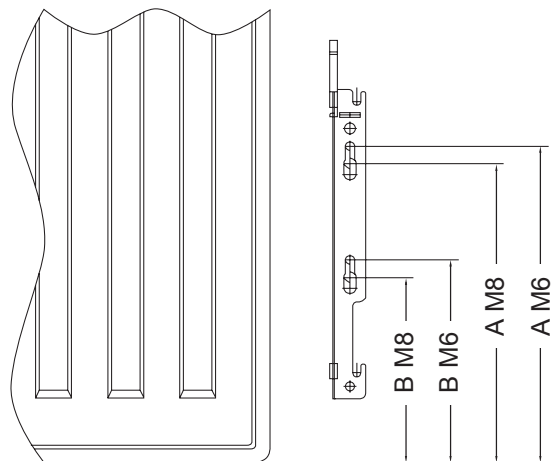
## Bracket locations & dimensions



Panel Type	11	21	22
A (mm)	50	74	86
B (mm)	66	66	66

A = Wall to side connection.

B = Wall to centre bottom connection.



Style:	M8		M6	
	A (mm)	B (mm)	A (mm)	B (mm)
300	138	-	152.5	-
400	238	143	252.5	157.5
500	338	143	352.5	157.5
600	438	143	452.5	157.5

NB: All measurements are nominal.