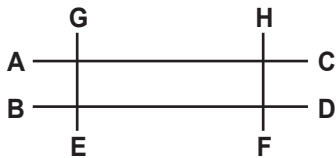


Connection Details

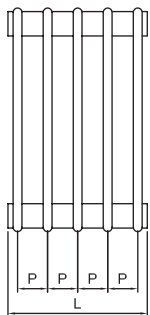
Connection Ladder



Connection sizes available

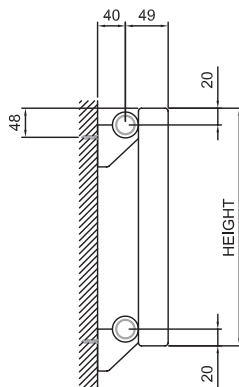
- 1/2" (15mm)
- 3/4" (20 mm)
- 1" (25mm)

ABCD connections



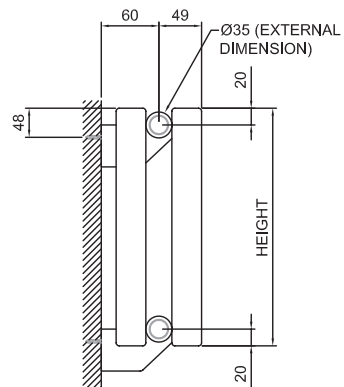
P = Pitch = 35mm (S&D35)
40/50mm (S&D70)
L = Length

S35



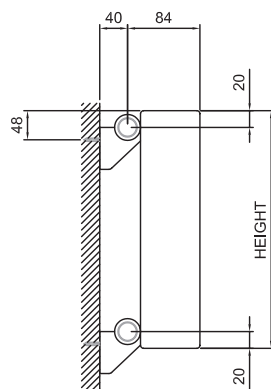
Total Depth 89 mm

D35



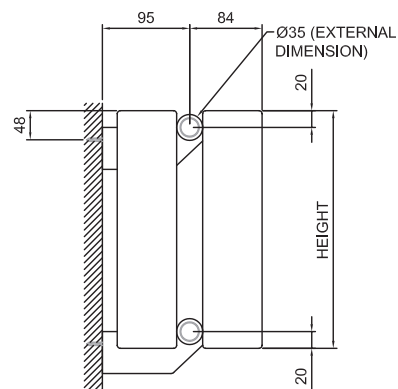
Total Depth 109mm

S70



Total Depth 124mm

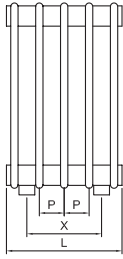
D70



Total Depth 179mm

Connection Details

EFGH connections

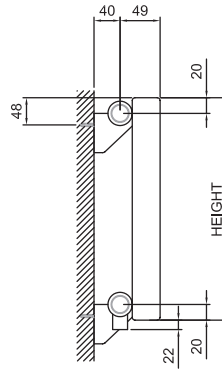


P = Pitch = 35mm (S&D35)
40/50mm (S&D70)

L = Length

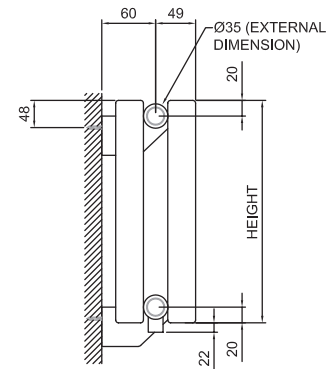
X = Centre To Centre Connection = Length - 2 x P

S35



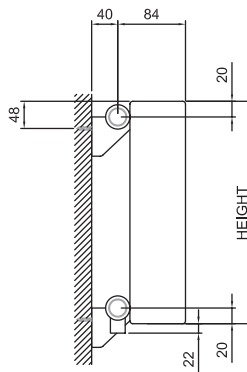
Total Depth 89mm

D35



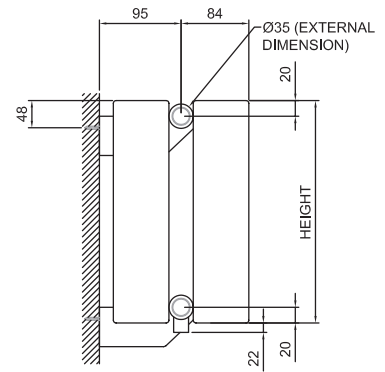
Total Depth 109mm

S70



Total Depth 124mm

D70



Total Depth 179mm

Mounting Options

Floor mounting (feet)

Floor-mounting brackets (feet) are available for all Merriott's Profile radiators, at an additional cost. The floor-mounting options are welded feet, loose feet, extended element feet or design feet.

- Feet can be of any height with a minimum of 50mm.
- Floor-mounted Profiles exceeding 500mm high (radiator and feet included) require top support brackets to ensure stability.
- Feet must be specified at the time of order.

For any special requirement, please contact your sales consultant.