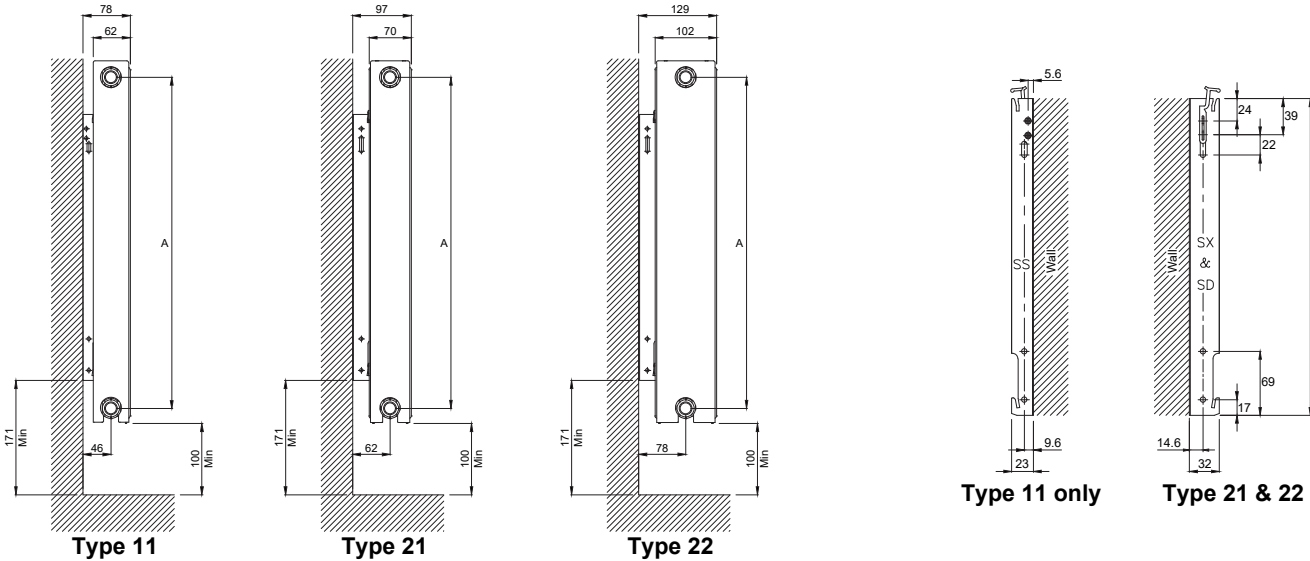


Mounting Positions, Dimensions and Wall Brackets



Nom. Height (mm)	Dim "A" (mm)	Dim "B" (mm)	Dim "C" (mm)
300	250	142	120
400	350	242	220
500	450	342	320
600	550	442	420
700	650	542	520

Application

Merriott Primo Plus radiators are for use on two pipe pumped indirect domestic and commercial central heating installations, with a maximum working temperature of 100°C.

The system should be designed in accordance with BS EN 12828:2003 or BS EN 12831:2003 as appropriate, with particular care taken to avoid air entry or water discharge. We do not recommend the use of single feed indirect cylinders, as the possibility of aeration due to water interchange may lead to corrosion.

The installation work must be carried out in accordance with recognised good practice, and precautions taken to avoid contamination which could lead to corrosion. If a corrosion inhibitor or other water treatment is to be used, the manufacturers instructions must be strictly followed.

The recommendations of BS 7593, Code of Practice for treatment of water in domestic hot water central heating systems, should be followed where appropriate.

Safety Precaution

Radiators are hot when in use, and as such, present a risk of burns to users on prolonged contact.

The temperature of a radiator is dependent on the temperature of the system water, as set by the system installer or user. Installers and users should ensure that those who may come into close proximity to hot radiators are aware of the risks of burns.

Installers and users should take all necessary steps to minimise the risks of burns. If the risk is significant, consideration should be given to installing low surface temperature radiators, or to placing guards in front of the radiators.

For the correct installation of radiators it is essential that the fixing of the radiator is carried out in such a way that it is suitable for intended use AND predictable misuse.

A number of elements need to be taken into consideration including fixing method used to secure the radiator to the wall, the type and condition of the wall itself, and any additional potential forces or weights, prior to finalising installation.

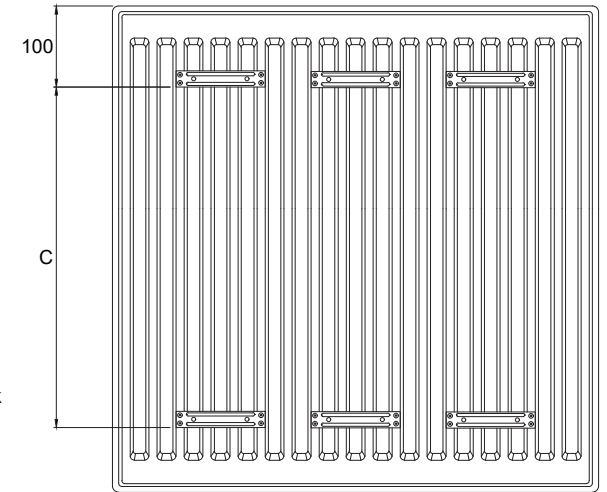
IN ALL CASES IT IS STRONGLY RECOMMENDED THAT A SUITABLY QUALIFIED PROFESSIONAL INSTALLER OR SIMILAR TRADESPERSON CARRIES OUT THE INSTALLATION.

PLEASE NOTE: The fixing materials provided are only intended for installation on walls made of solid wood, bricks, concrete or on timber-frame stud walls where the fixing is into the timber. All walls being considered should have no more than a maximum of 3 mm wall finishing. For walls made of other materials, for example hollow bricks, please consult your installer and/or specialist supplier. **ONCE AGAIN, IF YOU ARE UNSURE, IT IS STRONGLY RECOMMENDED THAT A SUITABLY QUALIFIED PROFESSIONAL INSTALLER OR SIMILAR TRADESPERSON CARRIES OUT THE INSTALLATION.**

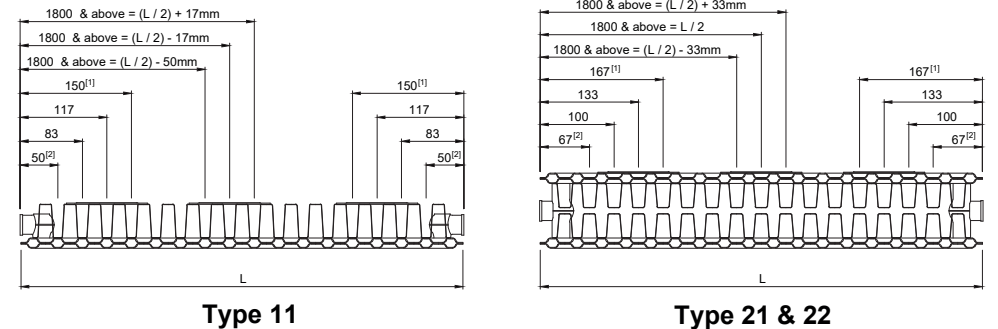
Spares

Touch up paint (RAL 9016) is available on request. contact Merriott Sales Office on +44 (0)330 041 5472.

Bracket Positions & Dimensions



Note for 4 connection radiators :- remove all plastic paint plugs and replace with working vent and blank plugs supplied in accessories pack.



[1] Not used for 300mm long products
[2] Only used for 300mm long products