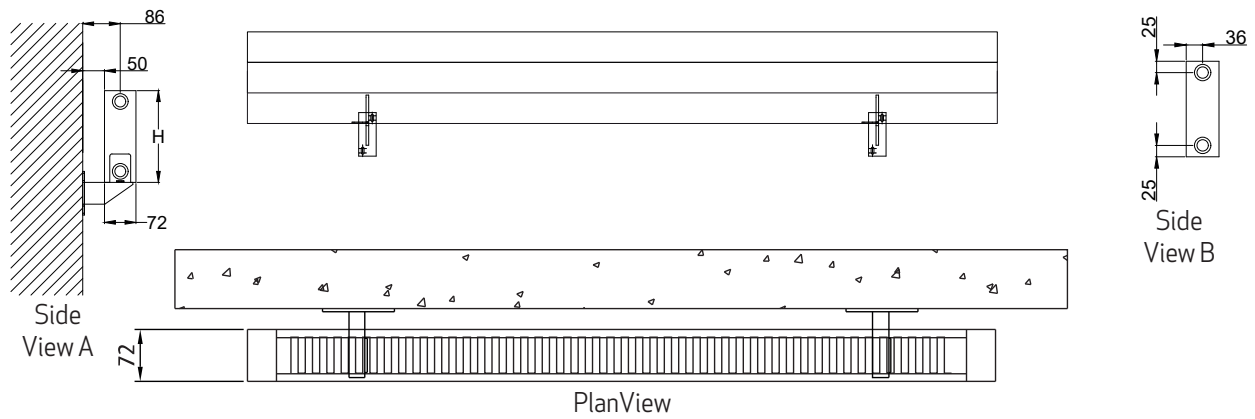


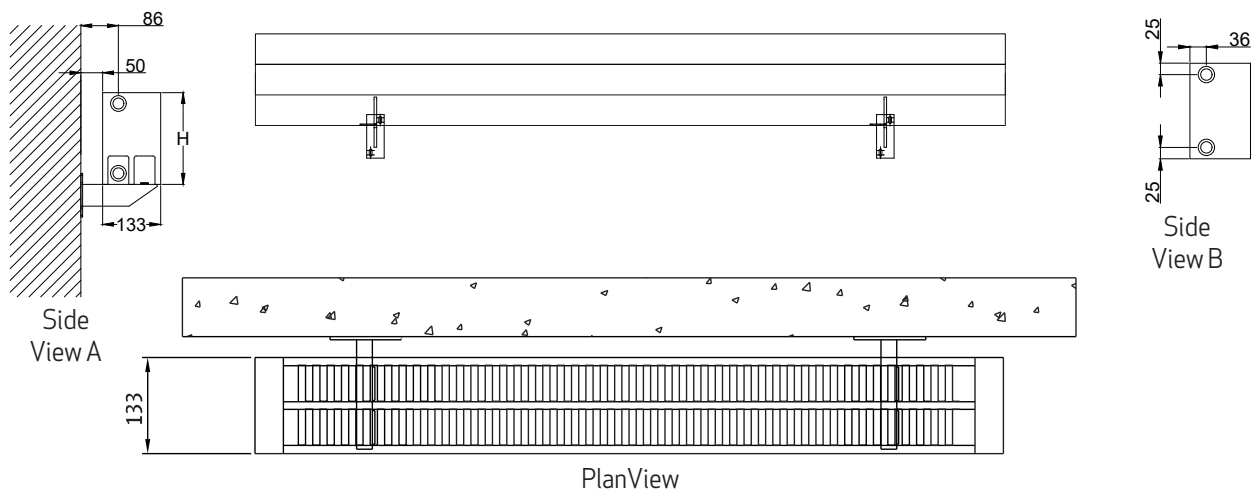
Dimensional Information

K22 & K34 models

K22



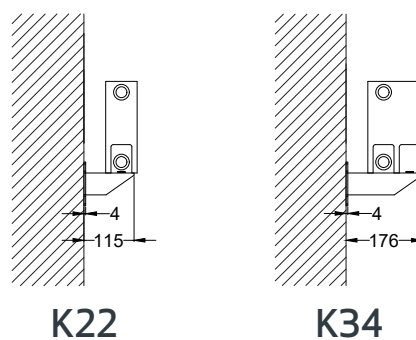
K34



WALL-BRACKET

The brackets used to wall mount the Radiavector are cantilever brackets. They bear their weight on prongs, from underneath the Radiavector, and not using a backclip.

Part Number: SUWBRVR

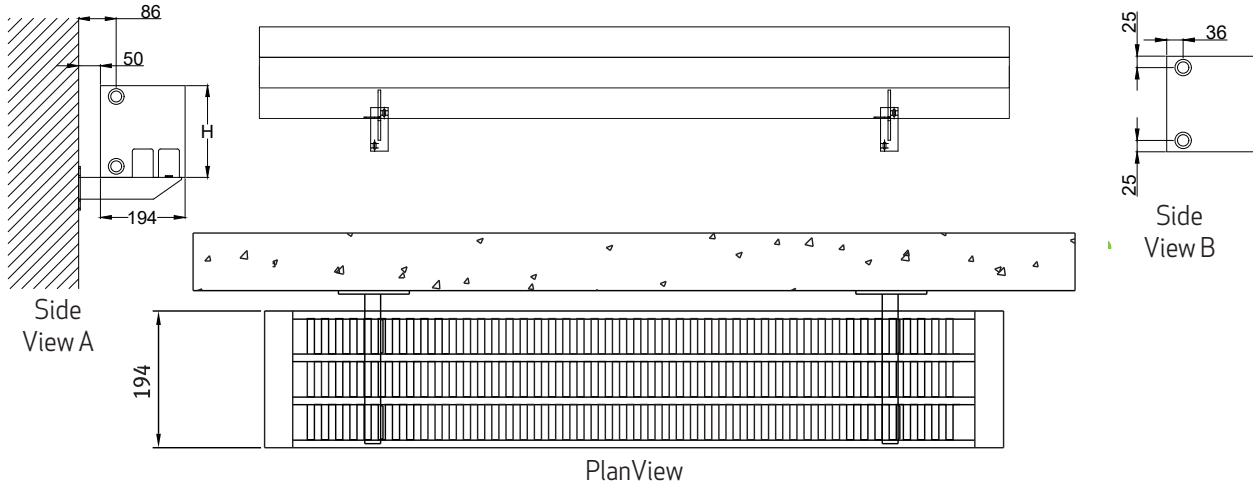


Note: All connection & distance dimensions shown are the same when using Wall Mounted brackets or Boxed Section Feet.

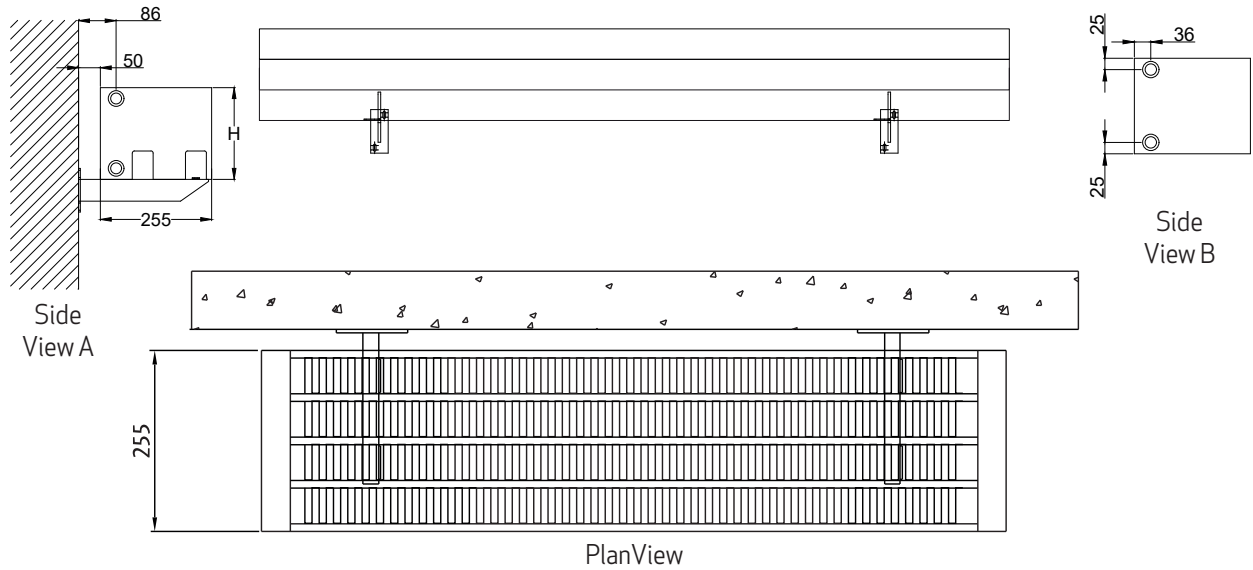
Dimensional Information

K46 & K58 models

K46



K58

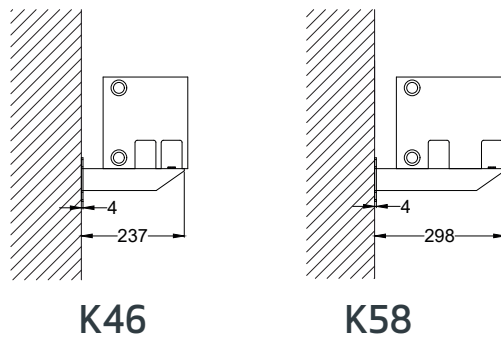


WALL BRACKET

The brackets used to wall mount the Radiavector are cantilever brackets. They bear their weight on prongs, from underneath the Radiavector, and not using a backclip.

Part Number:

SUWBRVR



Note: All connection & distance dimensions shown are the same when using Wall Mounted brackets.