

Item No.	Parts Included	Qty
1	Front Panel	1
2	Endboxes	2
3	Horizontal Top Grille	1
4	Bracket Kit (Grille)	1

**Safety Precaution:**

For the correct installation of radiators it is essential that the fixing of the radiator is carried out in such a way that it is suitable for intended use AND predictable misuse.

A number of elements need to be taken into consideration including fixing method used to secure the radiator to the wall, the type and condition of the wall itself, and any additional potential forces or weights, prior to finalising installation.

IN ALL CASES IT IS STRONGLY RECOMMENDED THAT A SUITABLY QUALIFIED PROFESSIONAL INSTALLER OR SIMILAR TRADESPERSON CARRIES OUT THE INSTALLATION.

**PLEASE NOTE:** The fixing materials provided are only intended for installation on walls made of solid wood, bricks, concrete or on timber frame stud walls where the fixing is in to the timber. All walls being considered should have no more than a maximum of 3 mm wall finishing. For walls made of other materials, for example hollow bricks, please consult your installer or specialist supplier. ONCE AGAIN, IF YOU ARE UNSURE, IT IS STRONGLY RECOMMENDED THAT A SUITABLY QUALIFIED PROFESSIONAL INSTALLER OR SIMILAR TRADESPERSON CARRIES OUT THE INSTALLATION.

**Information for the installer:**

These radiators are for use on two pipe pumped indirect domestic and commercial heating installations, with a maximum working temperature of 100°C.

The system should be designed in accordance with BS EN 12828:2012+A1:2-14 or BS EN 12831-1:2017 as appropriate, with particular care to avoid air entry or water discharge.

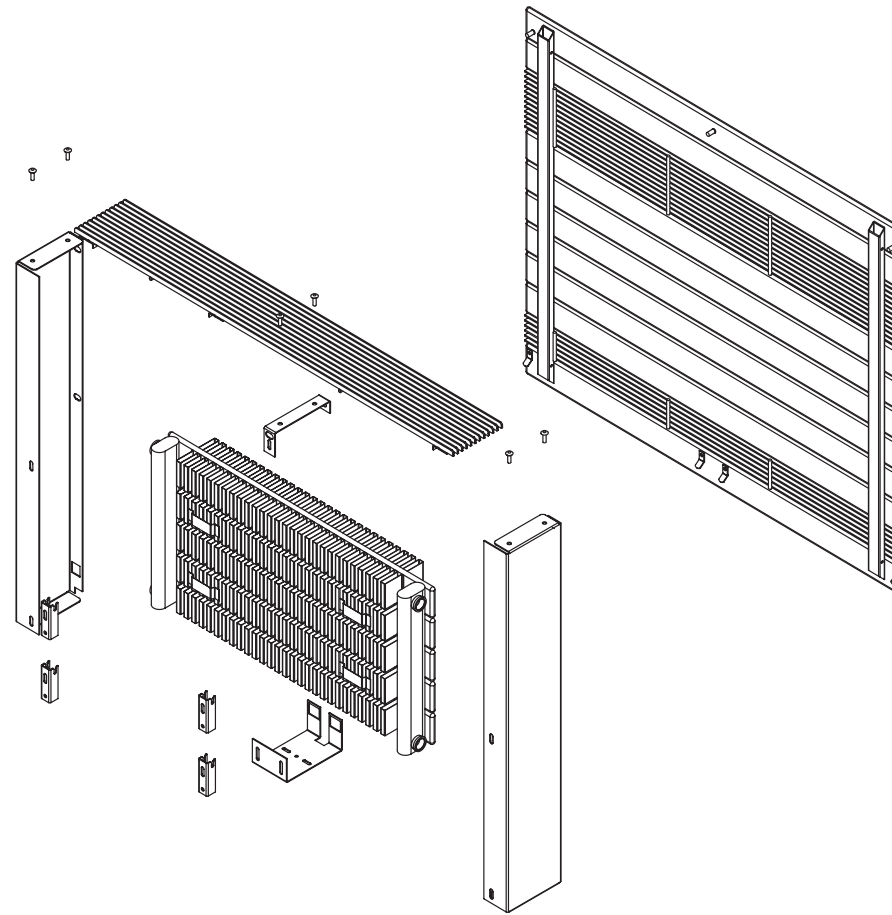
The installation work must be carried out in accordance with recognised good practice, and precautions taken to avoid contamination which could lead to corrosion. In accordance with current Building Regulations a corrosion inhibitor or other suitable water treatment must be used. The manufacturer's instructions must be strictly followed.

Failure to comply with these standards might invalidate the manufacture's warranty.

10 Year warranty.

The recommendations of BS 7593, Code of Practice for treatment of water in domestic hot water central heating systems, should be followed where appropriate.

# LST Style LC4 Floor mounted Touch Temperature



**INTERMEDIATE BRACKET PANEL DEPTH & BRACKET TYPE**

Panel Length (mm)	Top Bracket	Bottom Bracket	Dist. A	Dist. B	Fig No.
0-1000	0	0			2
1001-1550	1	1	609	0	1
1501-2150	1	1	909	0	1
2151-2750	1	1	1209	0	1
2751-3000	2	2	909	1809	2

FIG.1

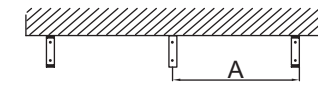
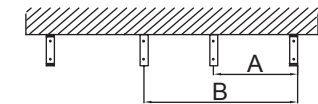
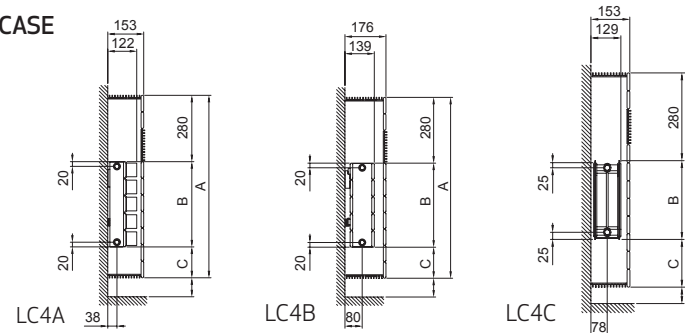


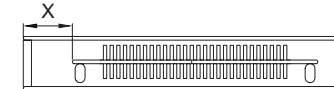
FIG.2



**EMITTER/LST CASE POSITIONING**



'X' Value + 150mm unless otherwise specified to suit TRV location



	LC4A/LC4B					LC4C					
<b>Casing 'A' (mm)</b>	630	700	770	840	910	980	700	770	840	910	980
<b>Emitter 'B' (mm)</b>	143	215	288	360	433	505	300	300	400	500	500
<b>Clearance 'C' (mm)</b>	207	205	202	200	197	195	120	190	160	130	200

## Important Notes:

- Fixings for LST assembly are included in the Bracket Kit (item 4). Content will vary depending on the length of the LST.
- Fixings to install LST casing to the wall are not included.
- Installation instructions provided with emitter.

## Installation Procedure:

1. Fix endboxes to wall surfaces as shown in FIG. 1 ensuring that required dimensions are adhered to. The centre of the bottom bracket corresponds to the centre of the intermediate tabs on the front panel. The bottom of the bracket should be in line with the bottom of the endboxes.
2. If required fit intermediate foot to the ground (see FIG. 2).
3. Locate tabs on inside of front panel. Slide into slots provided in endboxes. Push the panel into its upright position and lock in place using M8 nuts and washers (see FIG. 3).
4. Take top grille and place in position as shown in FIG. 4. Lock in place by inserting M3 hex socket screws through the keyhole plates in the grille and into the threaded hole in the endbox.



All dimensions are in mm.

Case Height (mm)	Emitter Height (mm)		
	LC4A	LC4B	LC4C
630	143	143	N/A
700	215	215	300
770	288	288	300
840	360	360	400
910	433	433	500
980	505	505	500

**Merriott UK & Ireland**  
 Purmo Group (UK) Ltd,  
 Eastern Avenue,  
 Team Valley, Gateshead,  
 Tyne & Wear, NE11 0PG  
 Tel: 0330 0415 472

sales@merriottuk.com  
 sales@merriott.ie

www.merriottuk.com / www.merriott.ie

Follow us on  @merriottuk and 

# LST Style LC4 Floor mounted Touch Temperature

FIG. 1

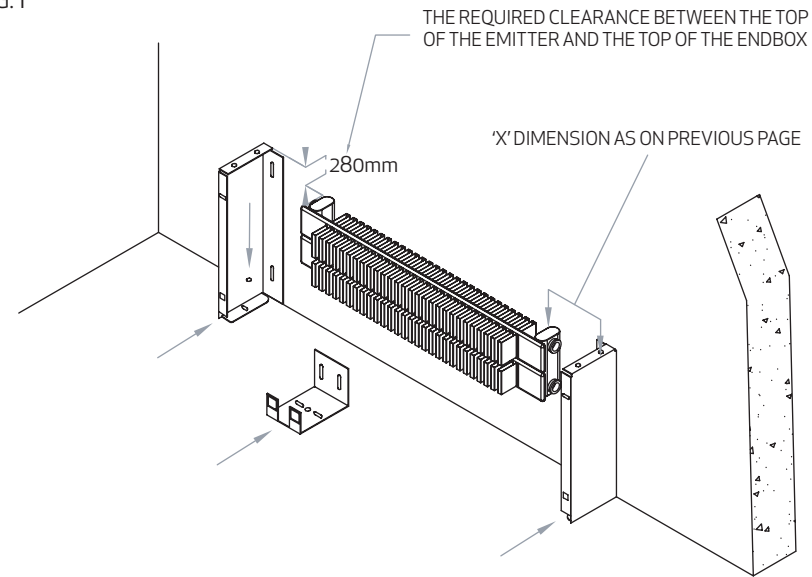


FIG. 2

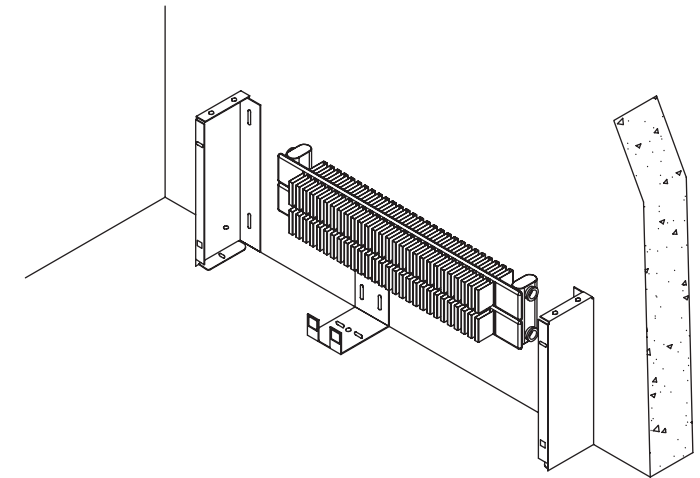


FIG. 3

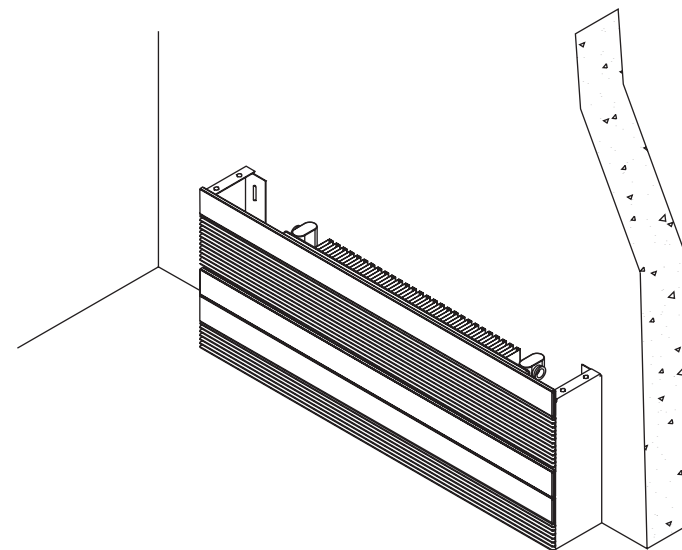


FIG. 4

