

Installation Instructions

Multicolumn Plus

Multicolumn Plus radiators are the best choice. The most modern technological solutions and care in production guarantee product excellence, both in finishing and durability. To safeguard your radiator and your heating system we strongly recommend the following after installation:

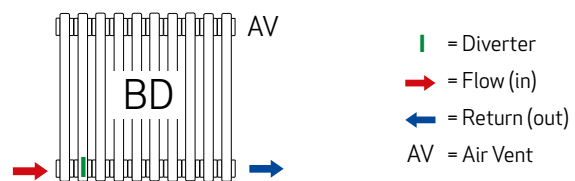
- > Carefully wash the heating system to remove dirt, mud, welding residue and any other possible sources of damage or blockages.
- > Perform chemical treatments required by law and follow the outlined installation process. Important: Please avoid any cleaning products which may harm the silicon gaskets used in the radiator.
- > The heating system should be filled with the valves open and taking care to increase the pressure gradually, avoiding sudden pressure jumps.
- > Do not connect the radiator either to the sanitary system or to systems with open expansion vessel.

1 Unpack and inspect the radiator and check all contents are present.

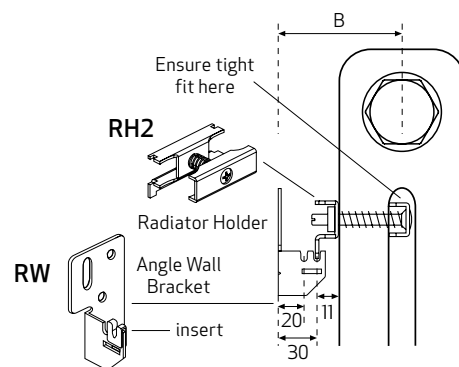
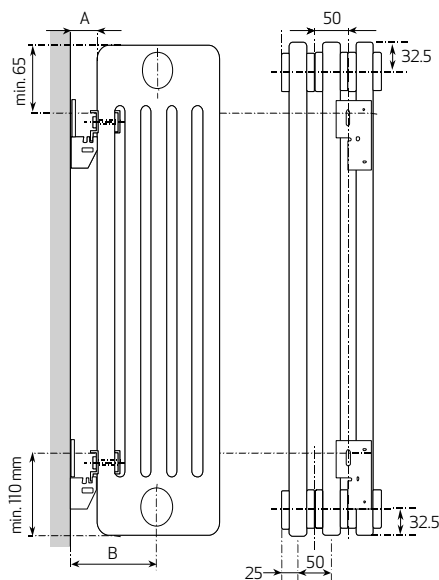
2 Connection options:

4 x 1/2" BSP

Most Multicolumn Plus radiators are manufactured with an internal baffle to help with water flow. The tapping with the baffle is identified with a red plastic cap, all others being blue. It is important that the water inlet is connected to the tapping identified in red. Please see the following example:



3 Fixing dimensions (standard bracket set):



Model	Nominal Depth (mm)	A Distance from Wall (mm)	B Connection Distance from Wall (mm)
2 Column	63	31 / 41	63 / 73
3 Column	101	31 / 41	82 / 92
4 Column	139	31 / 41	101 / 111
5 Column	177	31 / 41	120 / 130
6 Column	215	31 / 41	139 / 149

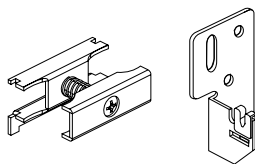
4 Standard brackets:

Your Multicolumn Plus radiator comes with the correct quantity of brackets according to the size of radiator you have.

Bracket set 1: 4 sets

Bracket set 2: 6 sets

Standard brackets include:

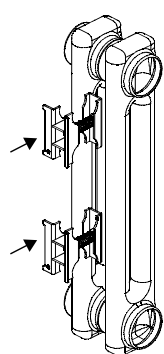


SET 1	4x	4x	4x	4x	1x	1x	
SET 2	6x	6x	6x	6x	1x	1x	
SAFETY SET 3080*			2x	2x			2x

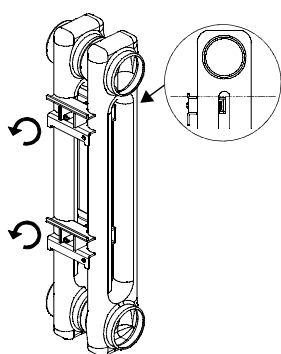
*Included in bracket pack, optional to use.

5 Bracket positioning:

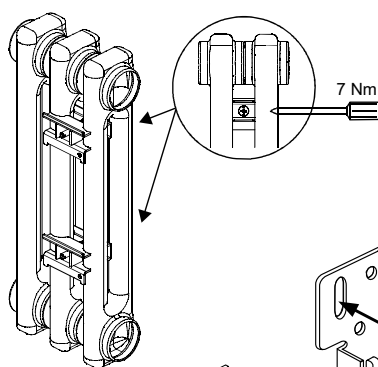
Mount the upper bracket as high as possible (Steps 1 & 2).



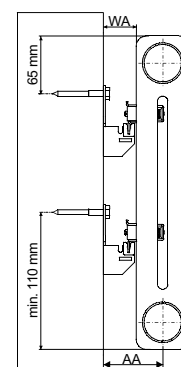
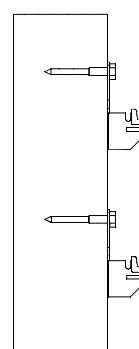
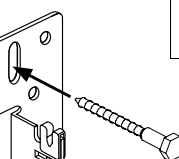
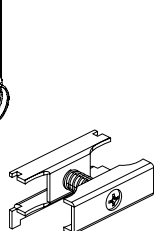
Step 1



Step 2



Step 3



NB: the wall plug is not suitable for plasterboard, polystyrene/polyurethane board or aerated concrete.

IMPORTANT: For the correct installation of radiators it is essential that the fixing of the radiator is carried out in such a way that it is suitable for intended use AND predictable misuse. A number of elements need to be taken into consideration including the fixing method used to secure the radiator to the wall, the type and condition of the wall itself, and any additional potential forces or weights that may happen to be applied to the radiator, prior to finalising installation.