

Technical Specification

Multicolumn Plus

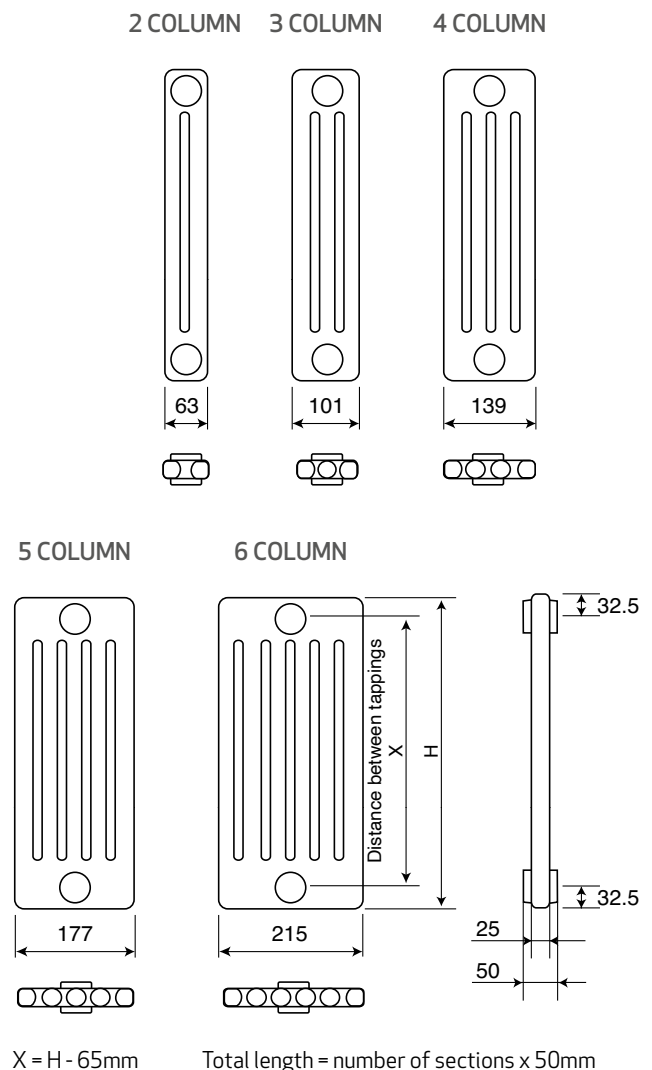
Product Description

The Merriott Multicolumn Plus has a classic design with a robust, clean and rounded finish. Wall or floor mounted options are available along with customising the connections.

It is available in 2 to 6 columns depth and in a horizontal and vertical configuration from 300mm to 3000mm height. The Multicolumn Plus features 25mm distancing between segments – with the length of each segment equal to 50mm – facilitates cleaning and provides outstanding hygienic qualities.

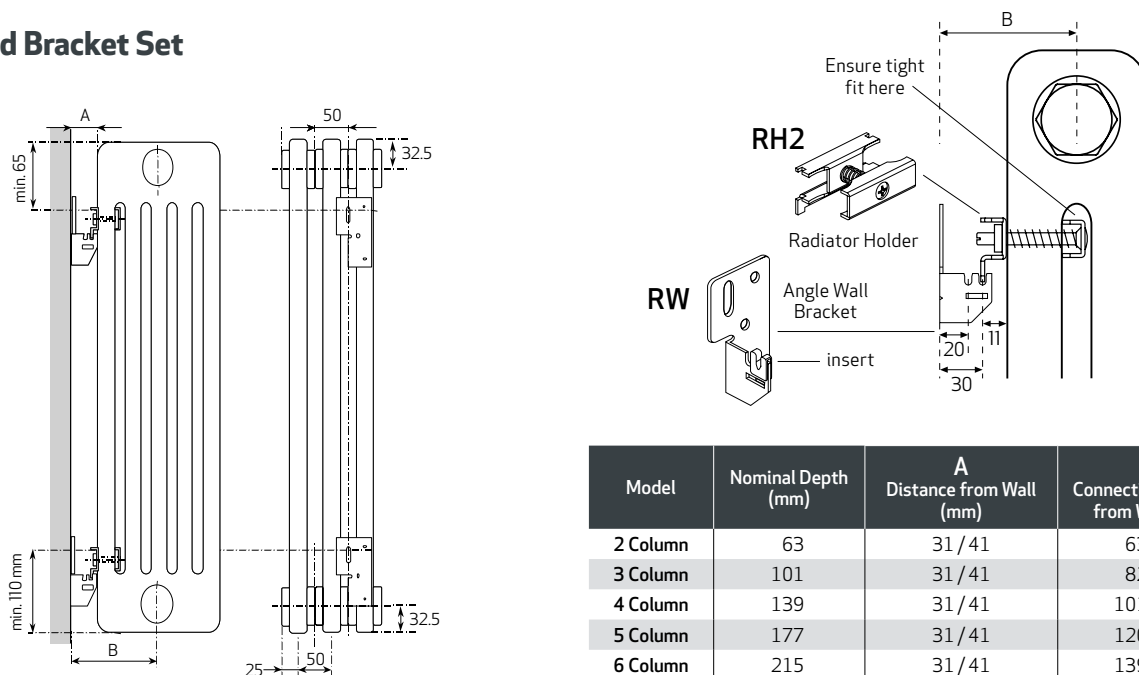
Features

- > Manufactured to BS EN 442 with a 10-year warranty.
- > Tested at a test pressure of 13 bar giving a maximum operating pressure of 10 bar.
- > Standard connections are 4 x 1/2" BSP Connections.
- > Standard Configurations are: BD or DB, other connections available on request.
- > Flow and return positions must be specified at point of order.
- > Supplied with standard angled wall brackets. Other wall brackets are also available, suitable for most applications.
- > Floor Brackets are available for radiator heights up to 1000mm.
- > Standard finish is semi-gloss RAL 9016 (white) in epoxy polyester powder. An extensive range of other RAL colours are available.
- > The entire surface of the radiator, including all 4 corners, is protected by cardboard box ends and packed in shrink wrapped polythene.
- > Available in 21 different heights from 300 to 3000 mm and standard lengths from 200 to 3000mm.
- > Characteristic "D"-profiled columns, increasing heat output.



Dimensional Information

Standard Bracket Set



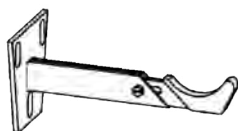
Model	Nominal Depth (mm)	A Distance from Wall (mm)	B Connection Distance from Wall (mm)
2 Column	63	31 / 41	63 / 73
3 Column	101	31 / 41	82 / 92
4 Column	139	31 / 41	101 / 111
5 Column	177	31 / 41	120 / 130
6 Column	215	31 / 41	139 / 149

Wall Mounting Options



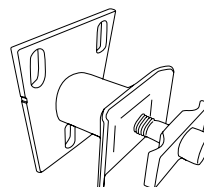
Drill Bracket RA

Expansion anchor with double wedge for installation in the wall, galvanized, sound insulated, recommended drilling diameter = 18mm.



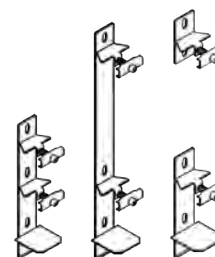
Regulating Wall Bracket RV

Adjustable bracket for varying wall distances.



Wall Bracket WKS for radiators heavier than 250kgs

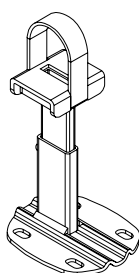
For bolting to the wall, robust design, wall distance 40mm, combined with regulating RV wall bracket.



WSV Wall Rail for heavy applications

Designed for heavy wall applications at heights 300mm to 3000mm.

Floor Mounting Options



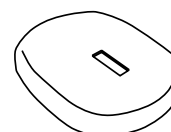
Clamped Floor Bracket FK5

Complete system for free-standing radiators, from 2-6 column up to 500mm high. Finished in the colour of your choice.



Floor Bracket SK2

Complete system for freestanding radiators, from 2-6 column up to 1000mm high. Finished in the colour of your choice.



Foot Plate Cover

For floor bracket SK2 and clamped floor bracket FK5.

Multicolumn Plus Bench

Multicolumn Plus Bench radiators ingeniously integrate the heating function with that of a sitting bench, suitable for the requirements of the building occupant.

- > Decorative radiator, totally laser-welded. Flattened cross section of the external D-profiled columns for maximum heat output.
- > Standard RAL 9016, other RAL colours are available.
- > Standard connections are 4 x 1/2" BSP Connections.
- > Tested at a test pressure of 13 bar giving a maximum operating pressure of 10 bar.
- > 4 up to 7 sections, 6 columns, horizontally positioned one on top of another.
- > Height: 387 (200)*, 437 (250)*, 487 (300)*, 537 (350)* mm.
- > Length: 1535 (1500)* up to 2835 (2800)* mm.
- > Depth: 300mm.



Multicolumn Plus Bar



The Multicolumn Plus Bar is an upper class decorative radiator, which can serve as a worktop, and at the same time create space dividers.

- > Decorative radiator, totally laser-welded. Flattened cross section of the external D-profiled columns for maximum heat output.
- > Standard RAL 9016, other RAL colours are available.
- > Standard connections are 4 x 1/2" BSP Connections.
- > Tested at a test pressure of 13 bar giving a maximum operating pressure of 10 bar.
- > Height: 940 (750)*, 1090 (900)* mm.
- > Length: 720 (700)*, 920 (900)*, 1120 (1100)* mm.
- > Depth: 4-columned - 224mm; 5-columned - 262mm.

*Dimensions exclude top board. Radiator dimension shown in brackets.

Merriott UK & Ireland

Purmo Group (UK) Ltd, Eastern Avenue, Team Valley,
Gateshead, Tyne & Wear NE11 0PG
Tel: 0330 0415 472

sales@merriottuk.com / sales@merriott.ie

www.merriottuk.com / www.merriott.ie

Follow us on  @merriottuk and 